



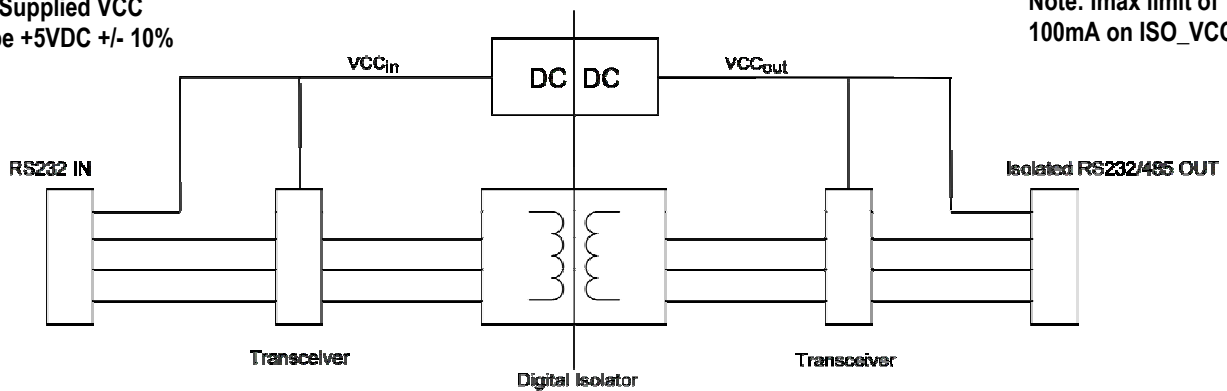


## Technical Specifications



## Block Diagram

Note: Supplied VCC must be +5VDC +/- 10%



Note: I<sub>max</sub> limit of 100mA on ISO\_VCC

### RS232 Connector Pinouts (PN: 299941)

P100				P101			
Pin	Signal	Signal	Pin	Pin	Signal	Signal	Pin
1	DCD	DSR	6	1	ISO_DCD	ISO_DSR	6
2	RXD	RTS	7	2	ISO_RXD	ISO_RTS	7
3	TXD	CTS	8	3	ISO_TXD	ISO_CTS	8
4	DTR	RI	9	4	ISO_DTR	ISO_RI	9
5	GND	VCC	10	5	ISO_GND	ISO_VCC	10

### RS232 to RS485 Connector Pinouts (PN: 299942)

P100				P101			
Pin	Signal	Signal	Pin	Pin	Signal	Signal	Pin
1	DCD	DSR	6	1	ISO_TX	ISO_TX#	6
2	RXD	RTS	7	2	ISO_RX	ISO_RX#	7
3	TXD	CTS	8	3	NC	NC	8
4	DTR	RI	9	4	NC	NC	9
5	GND	VCC	10	5	ISO_GND	ISO_VCC	10

Data subject to change without notice.