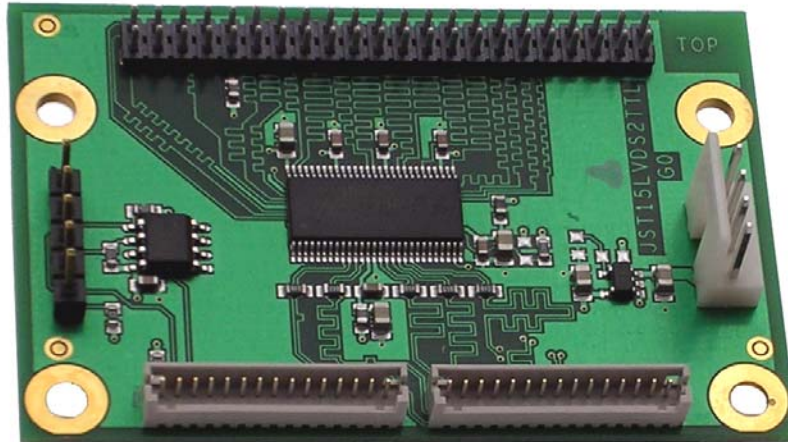




ADLLVDSTTL - LVDS to TTL Flat Panel Interface Adapter



Features

- 4Ch, LVDS conversion to 18/24-Bit TTL
- Compatible with most 18/24 Bit Flat panels
- I2C for storing panel information
- Power connection with +5VDC and +12VDC
- PC/104 Stack mountable with mounting plate
- Compatible only with ADL Embedded Solutions SBC's

Description

The ADLLVDSTTL converts 4-channel LVDS into 18/24 – bit TTL for use with TTL compatible flat panel displays. Its compact size will allow it to be mounted in almost any location with an enclosure. The mounting holes match the same mounting as the ADL-CFII-xx series so it may also be PC/104 stack mounted when used with the ADL Embedded Solutions multi-function mounting adapter. The ADLLVDSTTL also provides input for +12V and +5V for various flat panel configurations. When used with an ADL Embedded Solutions PC/104 series board, connection of the ADLLVDSTTL is as easy as plugging in the pin-for-pin interface cable.

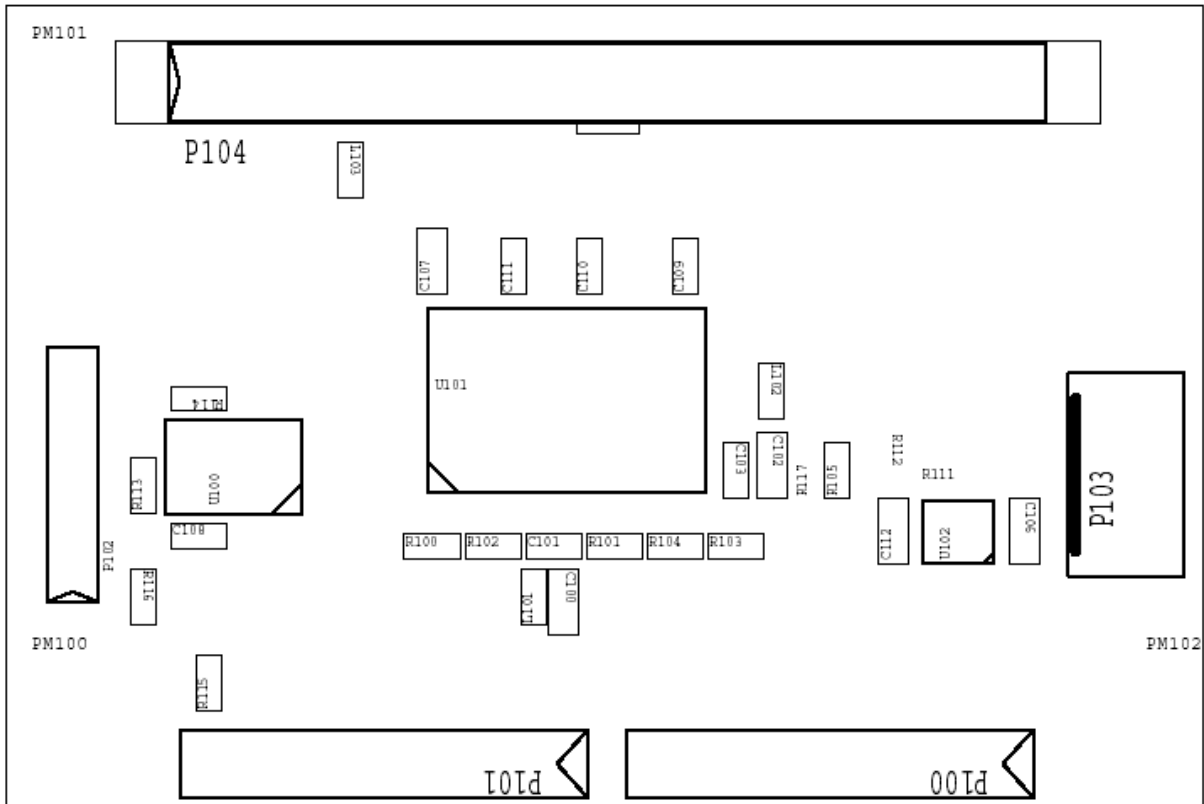
Ordering Information

| Item Code | Part # | Description |
|--------------------|----------|--|
| ADLLVDSTTL | 299915 | LVDS to 18/24 Bit TTL |
| Accessories | | |
| ADLLVDSC | 100-9710 | LVDS INTF Cable |
| 2.5"/CFII-CP | 201-2500 | 2.5" HD/SD and CF-II-S PC/104 mounting plate |

Data subject to change without notice



Technical Specifications



| Reference No. | Function |
|---------------|--------------------|
| P100 | "LVDS Data" |
| P101 | "Panel I2C" |
| P102 | "Panel Detect 3.3" |
| P103 | "PC Power In" |
| P104 | "TTL" |

Data subject to change without notice



Technical Specifications

| P100 - LVDS Data | | | |
|------------------------------------|-------------|-------------|-----|
| Mating Connector - Hirose DF13-15S | | | |
| Pin | Description | Description | Pin |
| 1 | GND | TXO0C- | 9 |
| 2 | GND | TXO0C+ | 10 |
| 3 | TXO00- | TXO03- | 11 |
| 4 | TXO00+ | TXO03+ | 12 |
| 5 | TXO01- | FP_BL | 13 |
| 6 | TXO01+ | FP_3.3V | 14 |
| 7 | TXO02- | FP_3.3V | 15 |
| 8 | TXO02+ | | |

| P101 - Panel I2C | | | |
|------------------------------------|-------------|-------------|-----|
| Mating Connector - Hirose DF13-15S | | | |
| Pin | Description | Description | Pin |
| 1 | GND | nc | 9 |
| 2 | GND | nc | 10 |
| 3 | nc | nc | 11 |
| 4 | nc | nc | 12 |
| 5 | nc | PNL_I2CCLK | 13 |
| 6 | nc | PNL_I2CCLK | 14 |
| 7 | nc | VCC | 15 |
| 8 | nc | | |

| P102 - Panel Detect 3.3 | |
|---|-------------|
| Mating Connector - Molex SL 5Pos, 0.100" - pn: 50-57-9005 | |
| Pin | Description |
| 1 | VCC |
| 2 | 3.3V |
| 3 | PNL_I2CCLK |
| 4 | PNL_I2CDAT |
| 5 | GND |

| P103 - PC Power | |
|--|-------------|
| Mating Connector - W+P Products 4Pos, Friction-Lock Crimp 2.54pitch - pn: 528-04-03-50 | |
| Pin | Description |
| 1 | VCC |
| 2 | GND |
| 3 | GND |
| 4 | 12V |

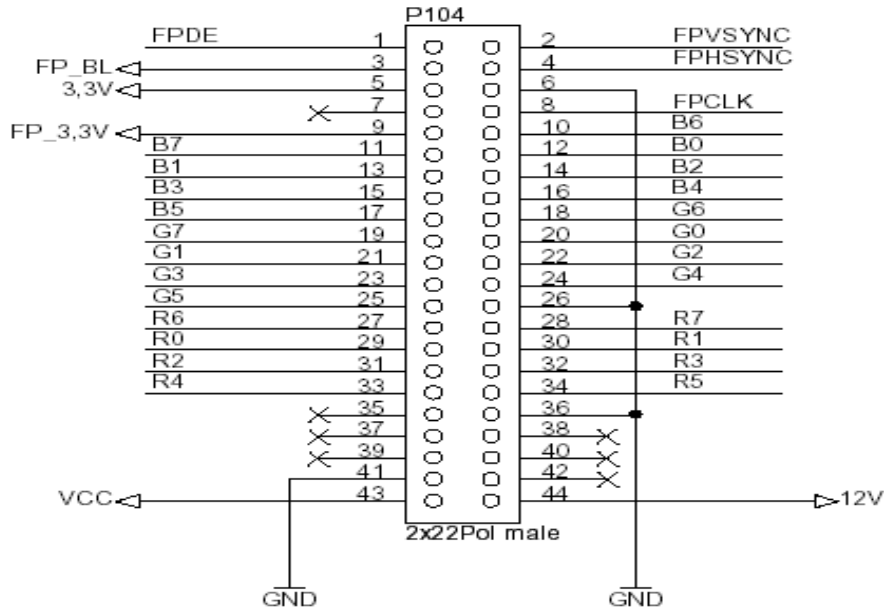
Data subject to change without notice



P104 - TTL Panel

Mating Connector - 2mm 2 x 22Pos Crimp style - panel interface dependent

P104: Named in OPEN LVDS (Standard Intel chipsets for LVDS)

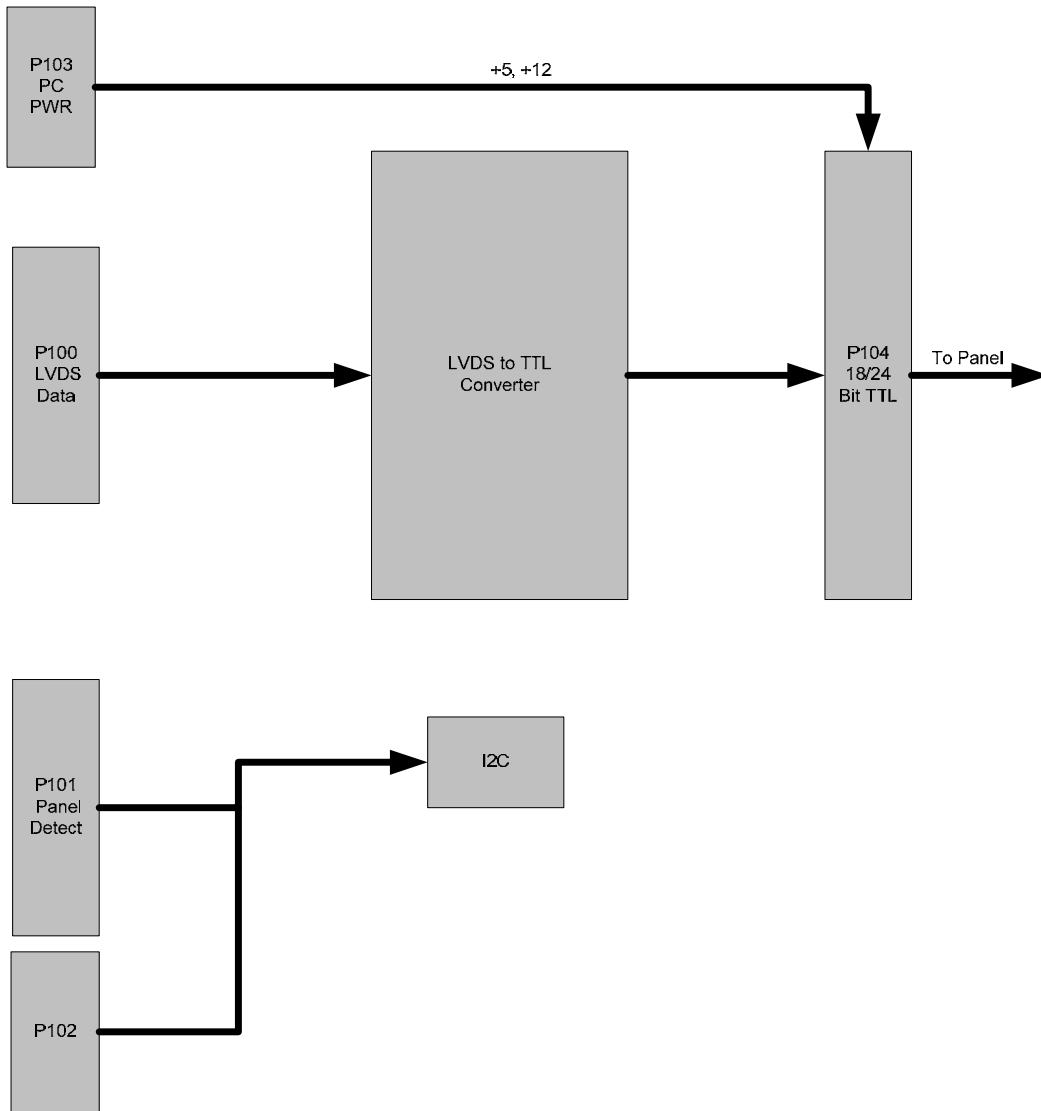


| LX800 | OPEN LDI | | OPEN LVDS | |
|-------|-----------|-----------|-----------|-----------|
| | 18bit TFT | 24bit TFT | 18bit TFT | 24bit TFT |
| FPD0 | | B0 | | B6 |
| FPD1 | | B1 | | B7 |
| FPD2 | B0 | B2 | B0 | B0 |
| FPD3 | B1 | B3 | B1 | B1 |
| FPD4 | B2 | B4 | B2 | B2 |
| FPD5 | B3 | B5 | B3 | B3 |
| FPD6 | B4 | B6 | B4 | B4 |
| FPD7 | B5 | B7 | B5 | B5 |
| FPD8 | | G0 | | G6 |
| FPD9 | | G1 | | G7 |
| FPD10 | G0 | G2 | G0 | G0 |
| FPD11 | G1 | G3 | G1 | G1 |
| FPD12 | G2 | G4 | G2 | G2 |
| FPD13 | G3 | G5 | G3 | G3 |
| FPD14 | G4 | G6 | G4 | G4 |
| FPD15 | G5 | G7 | G5 | G5 |
| FPD16 | | R0 | | R6 |
| FPD17 | | R1 | | R7 |
| FPD18 | R0 | R2 | R0 | R0 |
| FPD19 | R1 | R3 | R1 | R1 |
| FPD20 | R2 | R4 | R2 | R2 |
| FPD21 | R3 | R5 | R3 | R3 |
| FPD22 | R4 | R6 | R4 | R4 |
| FPD23 | R5 | R7 | R5 | R5 |

Data subject to change without notice



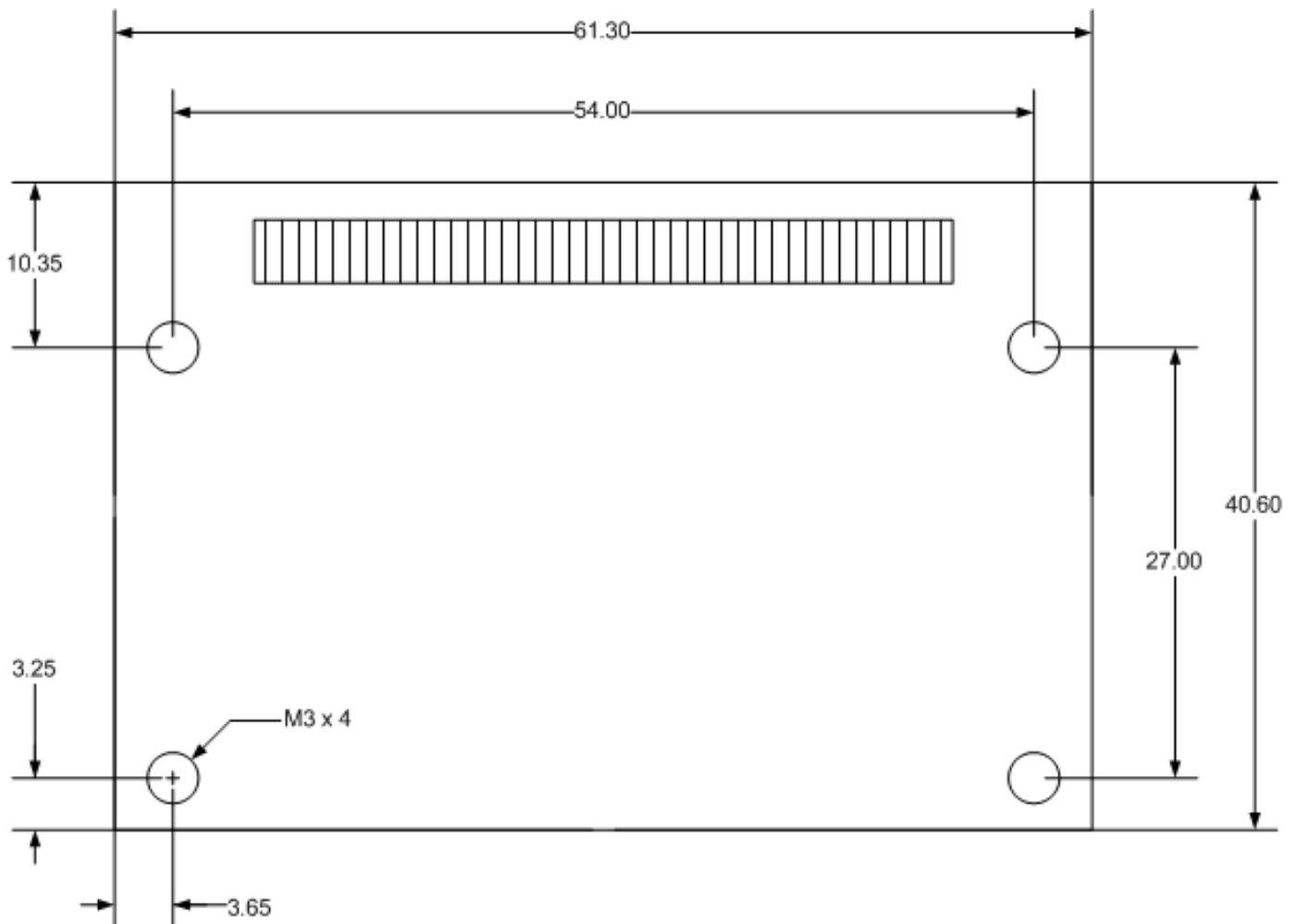
ADLLVDSTTL Block Diagram



Data subject to change without notice



ADLLVDSTTL Dimensions



Data subject to change without notice