

AV200

INTEL® 6TH GEN. CORE™ I7-6820EQ
NVIDIA GTX950M GPU MIL-STD
FANLESS RUGGED SYSTEM



- MIL-STD 810G COMPLIANCE
- 6TH GENERATION INTEL® CORE™ I7-6820EQ SKYLAKE PROCESSOR
- UP TO 32GB DDR4 SDRAM
- ONBOARD USSD SATAIII 64GB
- NVIDIA GTX950M INDEPENDENT DISPLAYS BY 2 X DP
- 2 X MPCIE EXPANSION SLOT (ONE SUPPORTS MSATA)
- 2 X INTEL® GIGABIT ETHERNET
- 4 X USB 3.0, 1 X COM PORT
- 9V TO 36V DC-IN
- EXTENDED TEMPERATURE -40 TO 60 °C

SPECIFICATIONS

SPECIFICATIONS	
High Performance Processor	Intel® 6th Gen Core™ i7-6820EQ (Frequency 2.8GHz, Turbo Boost up to 3.5GHz), Quad-Core, 8 Thread Support, 8MB SmartCache. Build-in HD Graphics 530 for excellent 3D, Turbo Boost Technology 2.0, VPro and Hyper-Threading support.
Memory	Up to 32GB DDR4 SDRAM
Chipset	Intel® QM170 PCH providing integrated USB 3.0 and supporting 6th generation Intel® Core™ processor families
Expansion Slot	1 x Full-size mPCIe (w/ SIM card and mSATA supported) 1 x Half-size mPCIe
DISPLAY	
GPU	NVIDIA GTX950M
Display Port	Resolution up to 3840 x 2160
DVI-I	Resolution up to 1920 x 1200
STORAGE	
uSSD	Onboard uSSD SATAIII 64GB
mSATA	1 x mSATA Solid State Disk (SSD) - up to 512GB Capacity.
ETHERNET	
Ethernet	2 x Intel Gigabit Ethernet LAN Interfaces (10/100/1000Mbps)
REAR I/O	
DisplayPort	4 x DisplayPort connectors
DVI-I	1 x DVI-I connector
Ethernet	2 x RJ45 Gigabit Ethernet LAN
Audio	2 x 3.5mm Audio Jacks (1 x MIC, 1 x Line-Out)
Serial Port	1 x DB9 connector (RS-232/422/485)
USB Port	2 x USB3.0 standard-A connectors
DC-IN	1 x 4P Rugged Terminal connector
FRONT I/O	
Button	1 x Power Button
Indicator LED	Power, HDD, LAN (Link/Active/Speed)
USB Port	2 x USB3.0 standard-A connectors
HDD Tray	1 x 2.5"HDD Tray

APPLICATIONS, OPERATING SYSTEM

Applications	Commercial and Military Platforms Requiring Compliance to MIL-STD-810G Embedded Computing, Process Control, Intelligent Automation and manufacturing applications where Harsh Temperature, Shock, Vibration, Altitude, Dust and EMI Conditions. Used in all aspects of the military.
Operating System	Windows 8 , Windows 8.1 , Windows 10 Ubuntu13.04, Ubuntu13.10, Ubuntu14.04, Fedora 20

PHYSICAL

Dimension (W x D x H)	315.2 x 150 x 120 mm
Weight	6 Kg (13.23 lbs)
Chassis	Aluminum Alloy, Corrosion Resistant
Finish	Anodic aluminum oxide (Color Black)
Cooling	Natural Passive Convection/Conduction. No Moving Parts
Ingress Protection	Dust Proof (Similar to IP50)

ENVIRONMENTAL

Operating Temperature	-20 to 60°C (ambient with air flow)
Storage Temperature	-40 to 70°C
Relative Humidity	10% to 90%, non-condensing
Reliability	No Moving Parts; Passive Cooling Designed & Manufactured using ISO 9001/2000 Certified Quality Program
EMC	CE and FCC compliance
Green Product	RoHS, WEEE compliance

ORDERING INFORMATION
AV200

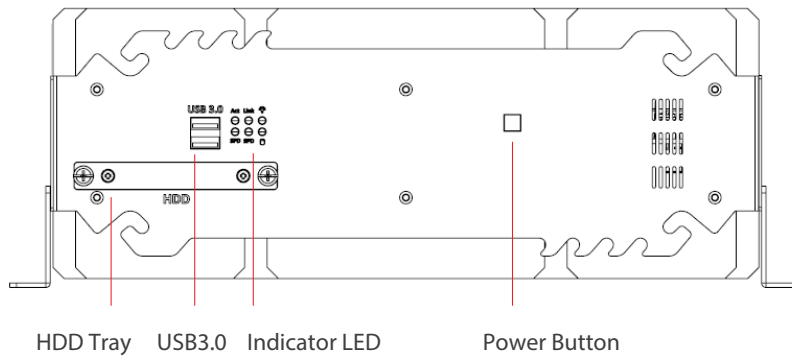
**MIL-STD-810G RUGGED COMPUTER WITH INTEL® CORE I7- 6820EQ,
NVIDIA GTX950M GPU, 4 INDEPENDENT DP, MINI PCIE,
9V TO 36V DC-IN, EXTENDED TEMP -40 TO 60°C**

AV200, EBX RUGGED SYSTEM IS A POWERFUL SYSTEM THAT IS DRIVEN BY INTEL® 6TH GENERATION SKYLAKE CPU AND CHIPSET SOLDERING ONBOARD, INTEGRATED WITH NVIDIA GTX950M GPU MODULE.

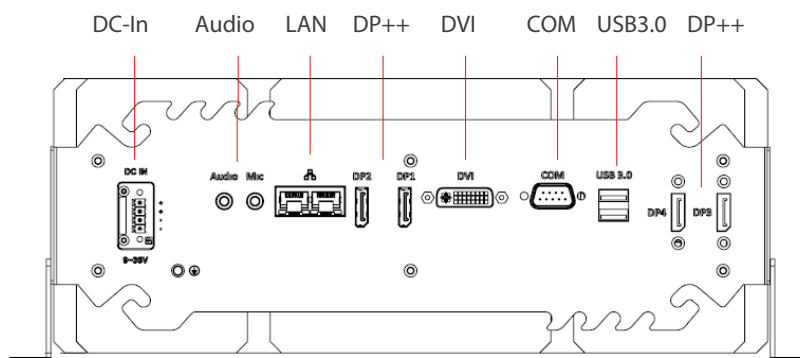
PROCESSOR I7-6820EQ PLUS INTEL® QM170 CHIPSET SUPPORTS CLOCK SPEED 2.8GHZ, UP TO 3.5GHZ. QUAD CORES, TURBO UP TO 8 CORES TO COPE WITH ENORMOUS DATA COMPUTING.

APPEARANCE

Front IO



Back IO



DIMENSIONS

