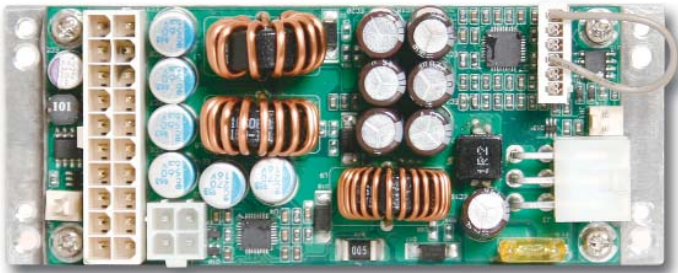


# GADIWA-3161

128W DC/DC 9V~29V/wide-input, ATX/output, Board Type Converter

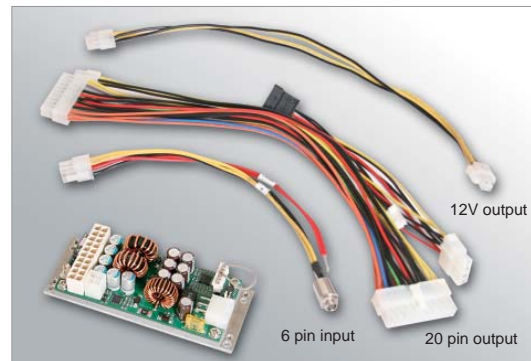


GADIWA-3161 is a wide input board type converter. It normally support 128Watts and maximum can reach to 160Watts. GADIWA-3160 can save more space and cost, it's not only capability for fan-less system but also suitability for different application. Besides, the converter is made and tested by automatic production line; therefore, it can provide high quality and performance.

## FEATURES

- 9~29V/Wide-input, plug into the ATX connector with board output
- Compact and user-friendly design for installation and maintenance
- Fan-less design for mission-critical application
- Small size for 1U or higher system to save space
- Socket Type Fuse Protection

## Installation Image



## SPECIFICATION

Input Voltage	9V~29V, 6~9V workable with derating
Line Regulation	9V~29V/input
Output	128Watts / 160 Watts Peak
Efficiency	>85% @ 12V input @ 120W output
EMI & Safety Approval	CE, FCC
Input Connector	Mini-Fit 6 pin (P/N: B6902430)
Output Connector	- Mini-Fit 20 pin (P/N: B6902410) - 12V output (P/N: B6902420)
Dimension (WxDxH)	100 x 45 x 22.5 mm

## CHARACTERISTICS

Output Voltage	Load Regulation	Cross Regulation
+12V	0~6A	6A
+5V	0~6A	6A
+3.3V	0~6A	6A
+5Vsb	0~2A(Share with +5V)	2A(Share with +5V)
-12V	0~0.1A	0.1A

## ORDERING GUIDE

- **GADIWA-3161**  
128W DC/DC 9V~29V/wide-input, ATX/output, Board Type Converter

