

IO104-60IN Manual

Manufactured by
TRI-M TECHNOLOGIES INC.
Engineered Solutions for Embedded Applications

Technical Manual

P/N: IO104-60IN-V3-MAN
Revision: 17-February-2010

Tri-M Technologies Inc.
101-1530 Kingsway Avenue
Port Coquitlam, BC V3C 6N6
Canada
<http://www.tri-m.com>
Tel 604.945.9565
North America 800.665.5600
Fax 604.945.9566

PREFACE

This manual is for integrators of applications of embedded systems. It contains information on hardware requirements and interconnection to other embedded electronics.

DISCLAIMER

Tri-M Technologies Inc. makes no representations or warranties with respect to the contents of this manual, and specifically disclaims any implied warranties of merchantability or fitness for any particular purpose. Tri-M Technologies Inc. shall under no circumstances be liable for incidental or consequential damages or related expenses resulting from the use of this product, even if it has been notified of the possibility of such damages. Tri-M Technologies Inc. reserves the right to revise this publication from time to time without obligation to notify any person of such revisions. If errors are found, please contact Tri-M Technologies Inc. at the address listed on the title page of this document.

COPYRIGHT © 2010 Tri-M Technologies Inc.

No part of this document may be reproduced, transmitted, transcribed, stored in a retrieval system, or translated into any language or computer language, in any form or by any means, electronic, mechanical, magnetic, optical, chemical, manual, or otherwise, without the express written permission of Tri-M Technologies Inc.

FEATURES

- 60 opto-isolated inputs.
- Inputs on standard 0.1" pitch 40 pin headers.
- I/O access to inputs through I/O memory mapped registers via PC/104 bus.
- All inputs are opto-isolated.
- Input Range 3V to 24 V AC or DC input.
- Multiple IO104-60IN boards can be stacked.
- Temperature Range -40 to 85C.
- PC/104 compliant, 3.75" X 3.55".
- Weight: 2.27 oz / 64 grams.

Digital Input Reading

The 60 inputs are grouped as seven sets of eight inputs, and one set of four inputs. Each group of inputs is accessed through an I/O memory address, which is an offset from the base decode address. Inputs are grouped as follows:

Group 1: Inputs DI1 to DI8	I/O address = Base Address
Group 2: Inputs DI9 to DI16	I/O address = Base Address + 1
Group 3: Inputs DI17 to DI24	I/O address = Base Address + 2
Group 4: Inputs DI25 to DI32	I/O address = Base Address + 3
Group 5: Inputs DI33 to DI40	I/O address = Base Address + 4
Group 6: Inputs DI41 to DI48	I/O address = Base Address + 5
Group 7: Inputs DI49 to DI56	I/O address = Base Address + 6
Group 8: Inputs DI57 to DI60	I/O address = Base Address + 7

Input	Offset from Base Address	SD7	SD6	SD5	SD4	SD3	SD2	SD1	SD0
Group 1	0	Input8	Input7	Input6	Input5	Input4	Input35	Input2	Input1
Group 2	1	Input16	Input15	Input14	Input13	Input12	Input11	Input10	Input9
Group 3	2	Input24	Input23	Input22	Input21	Input20	Input19	Input18	Input17
Group 4	3	Input32	Input31	Input30	Input29	Input28	Input27	Input26	Input25
Group 5	4	Input40	Input39	Input38	Input37	Input36	Input35	Input34	Input33
Group 6	5	Input48	Input47	Input46	Input45	Input44	Input43	Input42	Input41
Group 7	6	Input56	Input55	Input54	Input53	Input52	Input51	Input50	Input49
Group 8	7	Not used				Input60	Input59	Input58	Input57

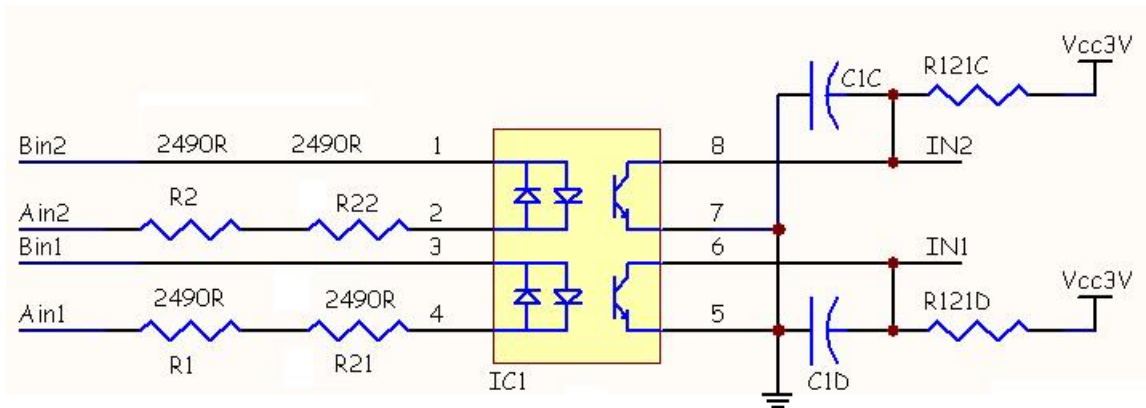
Base Address Settings

There are four decode base addresses, which are jumper selectable from the address select block JP2 and JP3:

Base Address	JP1 (1 to 2)	JP1(3 to 4)
240H	Not Installed	Not Installed
260H	Not Installed	Installed
280H	Installed	Not Installed
300H	Installed	Installed

Input Series Resistors and Opto-Coupler

Each input has two 2490 ohm resistors in series with the bi-directional input opto-coupler as shown.



IO104-60IN Input Locations

