

MIES-XHN5A10-NIC High Performance Computing Card based on Intel Arria 10 GX FPGA



MIES-XHN5A10-NIC is based on latest Intel FPGA device, Arria 10 GX 1150. It offers a completed and simple approach for computing oriented environment that includes on-board memory for compatibility and it is up to DDR4 16GB DRAM. Cause of using into rack-mount system, MIES-XHN5A10-NIC is implemented for Network Interface Card (NIC) in a compact size within 68mm x 168mm.

For High-performance Computing and accelerating, it supports PCIe x8 gold-finger for connecting with main CPU and dual 10G LANs as a high speed network interface. Based on security concern to the user's IP (Intellectual Property) protection, it builds Intel Max 10 CPLD for implementing encryption/decryption function cores.

FEATURE

- Intel Arria 10 PCI Express Add-on Card with high speed extension
- PCI Express x8 gold-finger and dual 10Gb Network Interface
- On-board memory, up to 16Gb DDR4 SRAM
- Build-in Intel Max 10 CPLD
- Compact size in 68mm x 168mm

ORDERING GUIDE

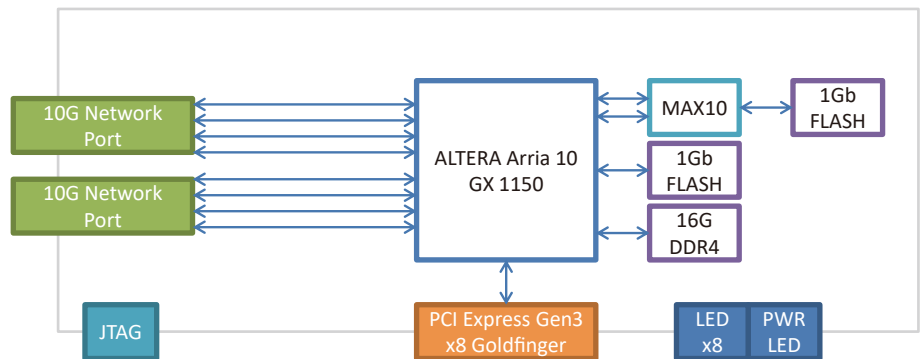
AB7-3082Z

MIES-XHN5A10-NIC. Accelerator Card. Altera Arria 10 GX 1150 F34 based NIC.w/Dual 10G LAN/PCIe Gen3 x8

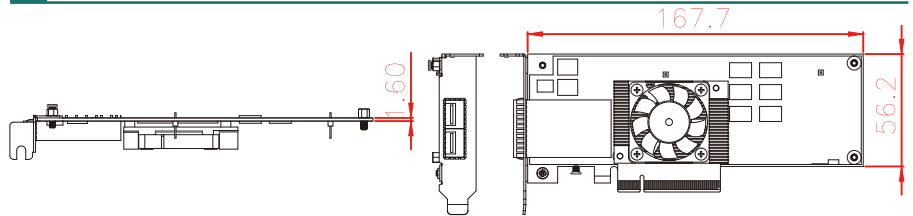
Specification

General	<ul style="list-style-type: none"> ■ ALTERA Arria 10 (GX 1150 F34 Package) ■ ALTERA Max 10 ■ 4Gb DDR4 SDRAM with ECC for Arria 10, and up to 16Gb ■ 1Gb FLASH for Arria 10 ■ 1Gb FLASH for Max10 ■ Low profile PCI Express Card for 2U Rack-mount Chassis ■ Board size within 168mm x 68mm (6.6 x 2.7 inch)
Interface	<ul style="list-style-type: none"> ■ PCI Express Gen3 x8 gold-finger ■ Dual 10Gb Network Interface ■ JTAG
Power	<ul style="list-style-type: none"> ■ 12V from PCIe gold-finger (25W)
Thermal solution	<ul style="list-style-type: none"> ■ Single-width active cooler with fan ■ Passive heatsink (optional)
Environment	<ul style="list-style-type: none"> ■ Operation temperature: TBD ■ Storage temperature: TBD ■ Relative humidity: TBD

FUNCTIONAL DIAGRAM



MECHANICAL DESIGN



Portwell, Inc. (Headquarters)
No. 242, Bo'AI St., Shu-Lin Dist,
New Taipei City 238, Taiwan
Tel: +886-2-77318888
Fax: +886-2-77319888
E-mail: info@portwell.com.tw
http://www.portwell.com.tw

Americas

American Portwell
(Fremont, CA)
44200 Christy St., Fremont, CA 94538,
USA
Tel: +1-510-403-3399
Fax: +1-510-403-3184
E-mail: info@portwell.com
http://www.portwell.com

Japan

Portwell Japan, Inc.
(Tokyo)
〒112-0011 4-27-10, Sengoku,
Bunkyo-ku, Tokyo, Japan
Tel: +81-3-6902-9225
Fax: +81-3-6902-9226
E-mail: info@portwell.co.jp
http://www.portwell.co.jp

Korea

Portwell Korea, Inc.
O-BIZ Tower 1901, No.126,
Beolmal-ro, Dongan-gu, Anyang-si,
Gyeonggi-do, Korea, 431-060
Tel: +82-31-450-3043
Fax: +82-31-450-3044
E-mail: info@portwell.co.kr
http://www.portwell.co.kr

Europe

European Portwell
Schillingweg 3, 2153 PL
Nieuw Vennep, The Netherlands
Tel: +31-252-620790
Fax: +31-252-621325
E-mail: info@portwell.eu
http://www.portwell.eu

Portwell Deutschland GmbH

Otto-Hahn-Str. 48, D-63303 Dreieich
Tel: +49-6103-3008-0
Fax: +49-6103-3008-199
E-mail: info@portwell.eu
http://www.portwell.de

Portwell UK Ltd.

Office TH2
Trident House, Trident Park Basii
Hill Road, Didcot, OX11 7HJ, UK
Tel: +44-1235-750760
Fax: +44-1235-750761
E-mail: info@portwell.co.uk
http://www.portwell.co.uk

India

Portwell India Technology

2nd Floor, 5M-665, 5th Main Road, OMBR
Layout, Banaswadi, Bangalore -560043,
India
Tel: +91-80-41684255
E-mail: info@portwell.in
http://www.portwell.in