

OXY5135B

PERFECTRON

Intel® Ivy Bridge Core™ i7/i5/i3 COM Express Type 6 Module with QM77 Chipset, 4GB Memory Onboard, Wide Temp. -20 to 70°C (-40 to 85°C optional)



KEY FEATURE

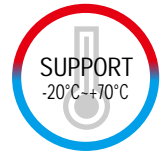
- Supports Intel® Ivy Bridge CPU onboard
- Supports Intel® QM77 chipset
- 4 GB DDR3 Memory IC onboard
- Three Digital Display Interfaces (DDI)
- 1 x PCIe x16, 7 x PCIe x1
- Wide operating temp. -20 to 70°C (-40 to 85°C optional)

it's perfect!

OXY5135B

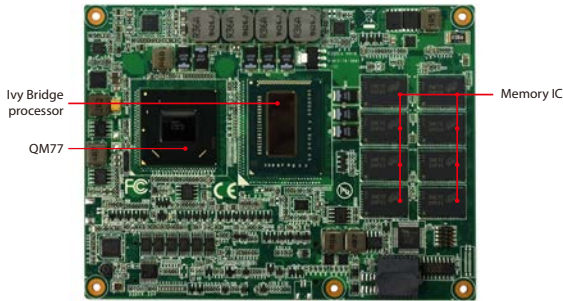
PERFECTRON

Intel® Ivy Bridge Core™ i7/i5/i3 COM Express Type 6 Module with QM77 Chipset, 4GB Memory Onboard, Wide Temp. -20 to 70°C (-40 to 85°C optional)



Main Features

- Supports Intel® Ivy Bridge CPU onboard
- Supports Intel® QM77 chipset
- 4 GB DDR3 Memory IC onboard
- Three Digital Display Interfaces (DDI)
- 1 x PCIe x16, 7 x PCIe x1
- Wide operating temp. -20 to 70°C (-40 to 85°C optional)



► Specifications

System

CPU Type	3rd Generation Intel® Core™ i7/i5/i3 processor, BGA type Core™ i7 3615QE (4C, 2.3GHz, 45W) Core™ i7 3612QE (4C, 2.1GHz, 35W) Core™ i7 3555LE (2C, 2.5GHz, 25W) Core™ i7 3517UE (2C, 1.7GHz, 17W) Core™ i5 3610ME (2C, 2.7GHz, 35W) Core™ i3 3120ME (2C, 2.4GHz, 35W) Core™ i3 3217UE (2C, 1.6GHz, 17W)
Chipset	Intel® QM77
Memory Type	Dual channel 4 GB DDR3 1600 MHz memory IC onboard
BIOS	AMI® UEFI BIOS
Super I/O	Fintek F81801-I
Watchdog	1-255 sec. or 1-255 min. software programmable, can generate system reset
Expansion Busses	1 x PCIe x16 (2 x PCIe x8 or 1 x PCIe x8 + 2 x PCIe x4) 7 x PCIe x1

Display

Chipset	Integrated GFX in Ivy Bridge processor
VGA	Yes (Max. resolution 2048 x 1536 @ 60 Hz)
LVDS	Dual channel 24-bit LVDS
DDI	Three DDI ports support HDMI/DP/SDVO/DVI

Audio

Codec	Integrated Intel® High Definition Audio
-------	---

Ethernet

Chipset	1 x Intel® 82579LM GbE LAN
WOL	Yes
Boot from LAN	Yes for PXE

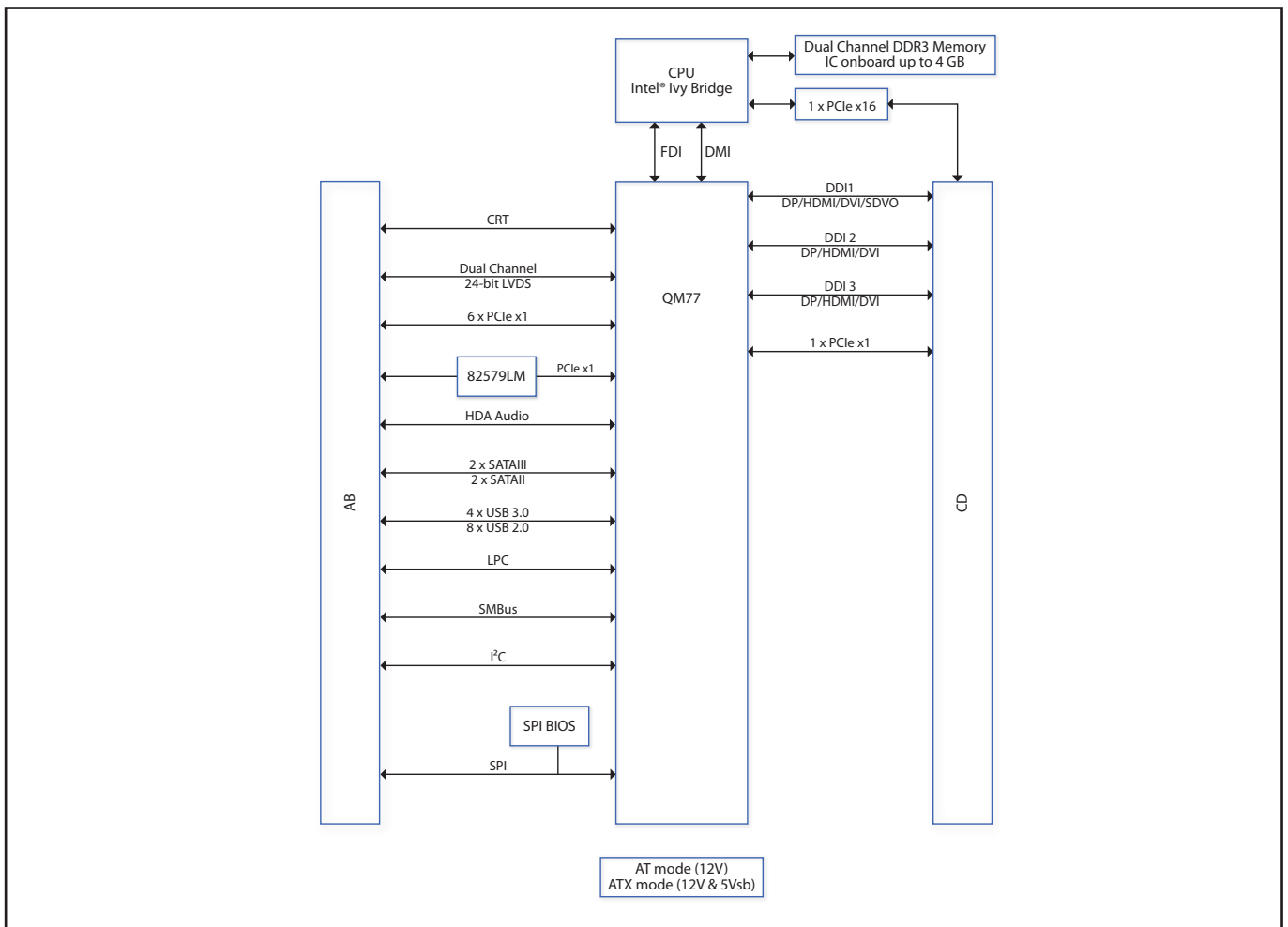
I/O Interface

SATA	2 x SATAIII (6 Gb/s) 2 x SATAII (3 Gb/s)
USB	4 x USB 3.0 8 x USB 2.0
LPC bus	1
SMBus	1
I ² C	1

Mechanical and Environment

Form Factor	COM Express Type 6
Power Type	AT mode (12V) ATX mode (12V & 5Vsb)
Dimension	125 x 95 mm (4.9" x 3.7")
Operating Temp.	-20 to 70°C
Storage Temp.	-40 to 85°C
Relative Humidity	10% to 90%, non-condensing

► **Block Diagram**



► **Packing List**

- OXY5135B COM Express Type 6 Module
- CD (Driver + user's manual)

► **Accessories**

Thermal Kit

- Heatspreader
- Active heatsink

Evaluation Carrier Board

- SK505 COM Express Type 6 carrier board



► **Ordering Information**

Modules

Model Number	Description
OXY5135B-ET-3517UE	COM Express Type 6 Intel® Ivy Bridge Processor (Mobile) BGA CPU (Core™ i7-3517UE) (-20 to 70°C)
OXY5135B-ET-3610ME	COM Express Type 6 Intel® Ivy Bridge Processor (Mobile) BGA CPU (Core™ i5-3610ME) (-20 to 70°C)
OXY5135B-ET-3217UE	COM Express Type 6 Intel® Ivy Bridge Processor (Mobile) BGA CPU (Core™ i3-3217UE) (-20 to 70°C)
OXY5135B-UT-3517UE	COM Express Type 6 Intel® Ivy Bridge Processor (Mobile) BGA CPU (Core™ i7-3517UE) (-40 to 85°C optional)
OXY5135B-UT-3610ME	COM Express Type 6 Intel® Ivy Bridge Processor (Mobile) BGA CPU (Core™ i5-3610ME) (-40 to 85°C optional)
OXY5135B-UT-3217UE	COM Express Type 6 Intel® Ivy Bridge Processor (Mobile) BGA CPU (Core™ i3-3217UE) (-40 to 85°C optional)



► **Applications**

