

OXY5315A

PERFECTRON

Intel® Pineview N455 3.5" SBC, Wide Temp. -40 to 85°C



**EXTENDED
TEMPERATURE**

KEY FEATURE

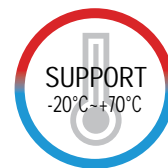
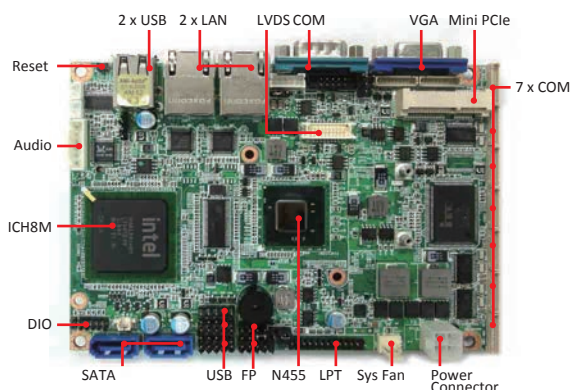
- Supports Intel® Atom™ N455 CPU onboard
- Single/dual channel 18-bit LVDS
- 1 x Mini PCIe
- 8 x COM ports
- 8 x USB ports
- 12V DC-in
- Wide operating temp. -40 to 85°C

it's perfect!

OXY5315A

PERFECTRON

Intel® Pineview N455 3.5" SBC, Wide Temp. -40 to 85°C



Main Features

- Supports Intel® Atom™ N455 CPU onboard
- Single/dual channel 18-bit LVDS
- 1 x Mini PCIe
- 8 x COM ports
- 8 x USB ports
- 12V DC-in
- Wide operating temp. -40 to 85°C

Specifications

System

CPU Type	Intel® Atom™ N455 1.66 GHz
Chipset	Intel® ICH8M
Memory Type	1 x 204-pin SO-DIMM DDR3 800 MHz up to 2 GB
BIOS	AMI® BIOS
Super I/O	ITE IT8781F
2nd Super I/O	Fintek F81216AD
Watchdog	1-255 sec. or 1-255 min. software programmable, can generate system reset
Expansion Slot	1 x Mini PCIe

Display

Chipset	Integrated Intel® GMA3150 Graphic core
Onboard VGA	Yes (Max. resolution 1400 x 1050 @ 60 Hz)
LVDS	Supports single channel 18-bit LVDS (Max. resolution 1366 x 768)
Dual Independent Displays Capability	VGA + LVDS

Audio

Codec	Realtek ALC662 High Definition Audio Codec *2W amplifier onboard
-------	---

Ethernet

Chipset	2 x RTL8111DL GbE LAN
WOL	Yes
Boot from LAN	Yes for PXE

Rear I/O

VGA	1
Ethernet	2 x RJ45
USB	2 x USB2.0
COM	1 x RS-232/422/485 with 5V/12V selectable
Reset Button	1

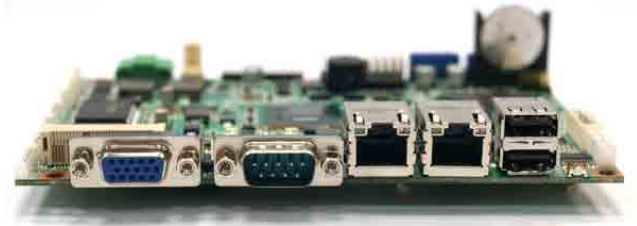
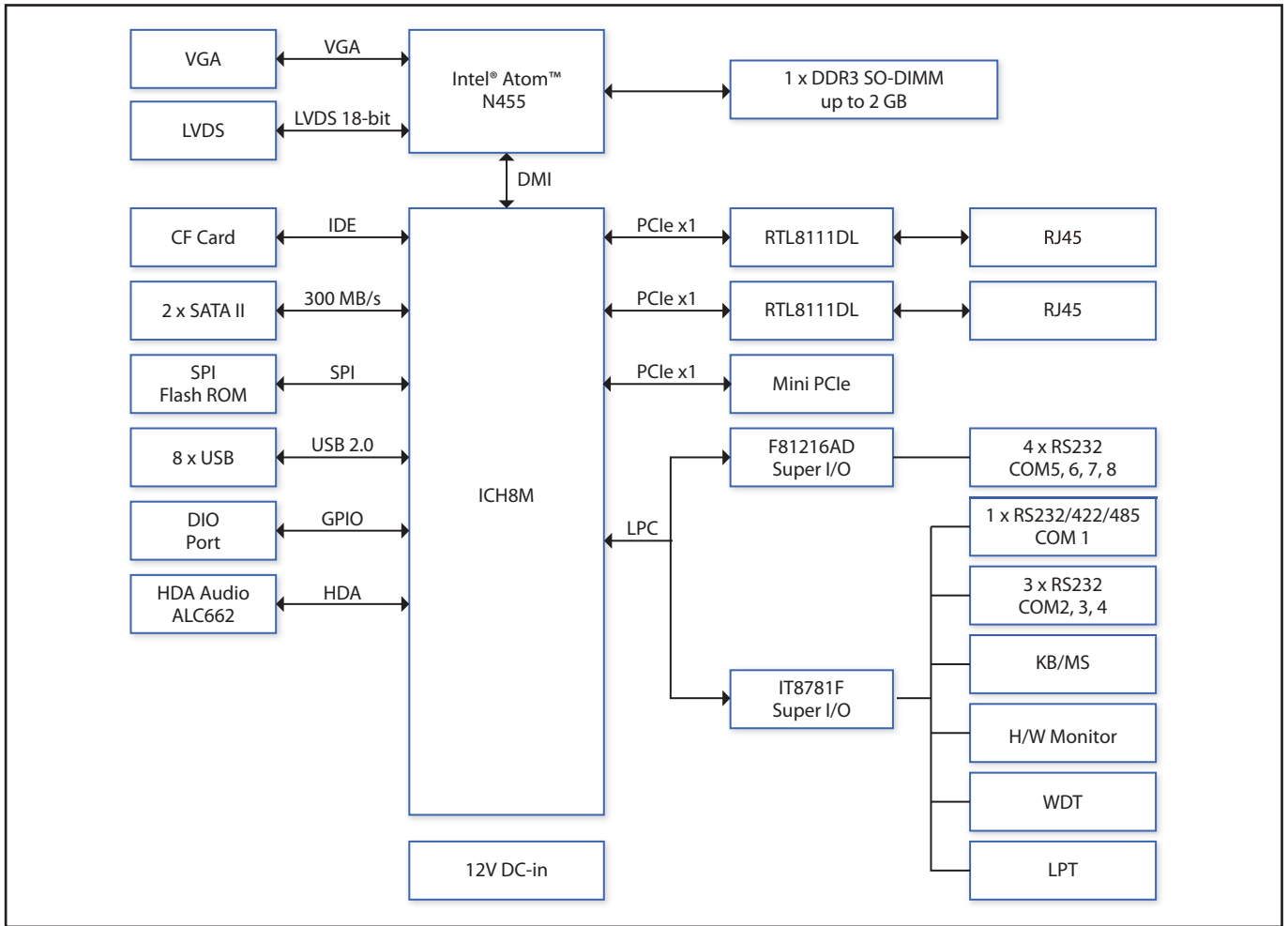
I/O Interface

SATA	2 x SATAII (3 Gb/s)
SSD	1 x Compact Flash Typell socket
USB	6 x USB2.0 ports by 2 x 5-pin header
COM	7 x COM ports <ul style="list-style-type: none">• COM2~4 port support RS232 with 5V/12V selectable by 1x 10-pin header• COM5~8 port support RS232 by 1 x 10-pin header
Audio	2 x 3-pin header for Mic-in/Line-in/Line-out 2 x 2-pin header for right and left Speaker-out
LVDS	20-pin connector
PS/2	2 x 3-pin header
DIO	8-bit (4 in/4 out)
Parallel Port	2 x 13-pin header

Mechanical and Environment

Form Factor	3.5" SBC
Power Type	12V DC-in, 4-pin ATX power connector, AT/ATX mode support
Dimension	146 x 102 mm (5.7" x 4")
Operating Temp.	-40 to 85°C
Storage Temp.	-40 to 85°C
Relative Humidity	10% to 90%, non-condensing

► **Block Diagram**



► **Packing List**

- OXY5315A 3.5" SBC
- CD (Driver + user's manual)

► **Optional Accessories**

Cable Kit

Cable kit for OXY5315A

Thermal Kit

Passive heatsink(up to 75°C)

CPU cooler



► **Ordering Information**

Modules

Model Number	Description
OXY5315A-ET	3.5" SBC Intel® Pineview N455 CPU with DDR3 SO-DIMM, Dual Display by VGA/LVDS, Dual GbE LAN, Audio, 8 x COM, 8 x USB, and 12V DC-in (-20 to 70°C)
OXY5315A-UT	3.5" SBC Intel® Pineview N455 CPU with DDR3 SO-DIMM, Dual Display by VGA/LVDS, Dual GbE LAN, Audio, 8 x COM, 8 x USB, and 12V DC-in (-40 to 85°C optional)



► **Applications**

