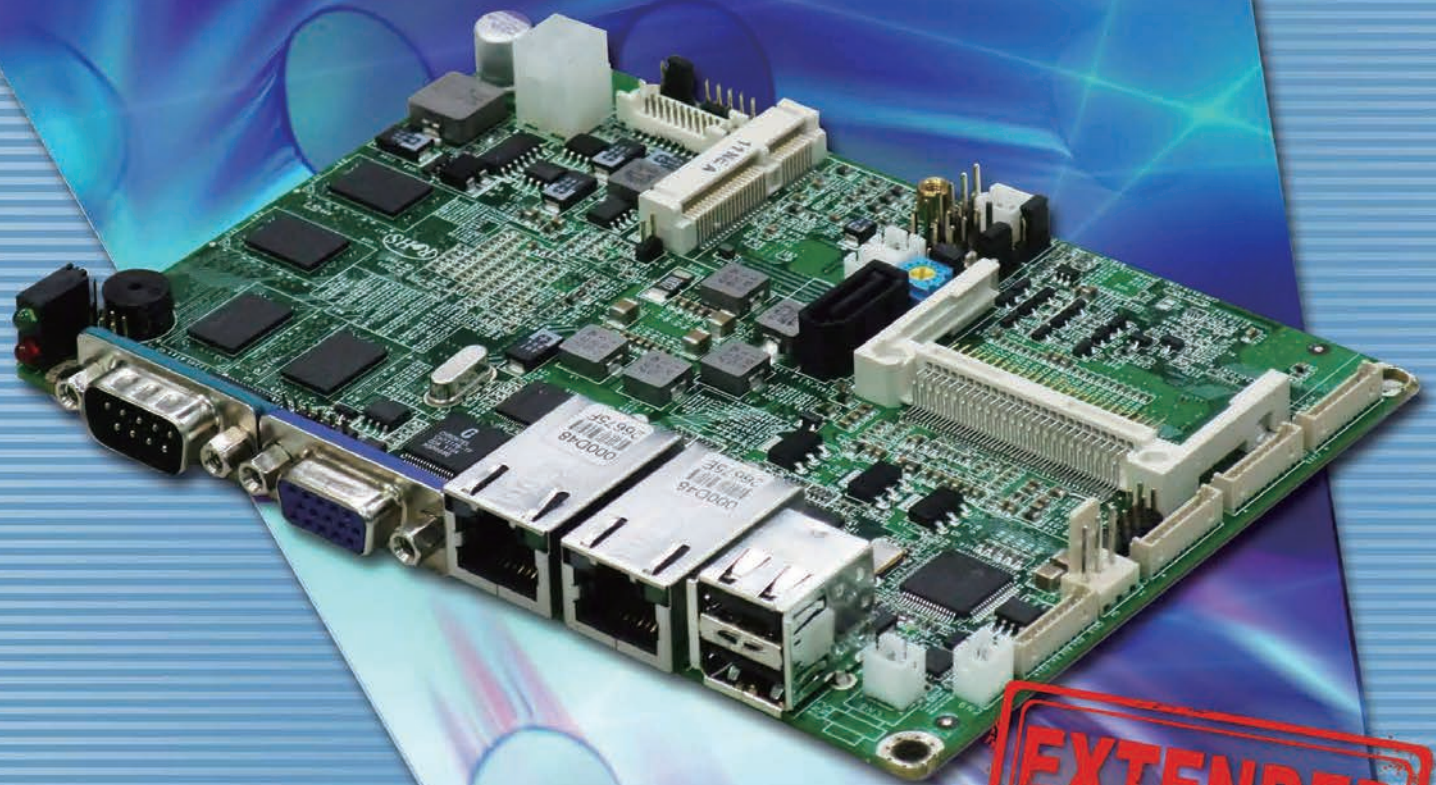


OXY5319A

PERFECTRON

Intel® Tunnel Creek E620T 3.5" SBC, Wide Temp. -40 to 85°C



**EXTENDED
TEMPERATURE**

KEY FEATURE

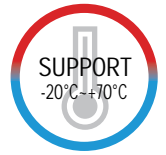
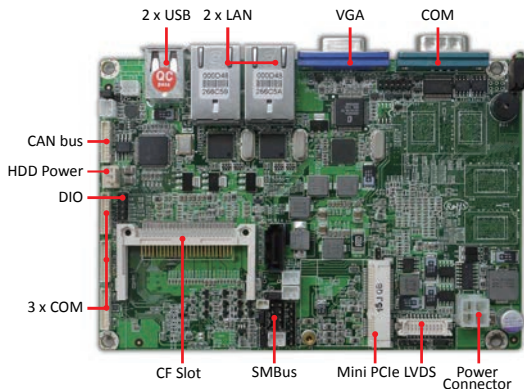
- Supports Intel® Tunnel Creek E620T CPU onboard
- 512 MB DDR2 memory onboard
- 4 x COM ports
- 2 x USB ports
- CAN Bus, SMBus
- 12V DC-in
- Wide operating temp. -40 to 85°C

it's perfect!

OXY5319A

PERFECTRON

Intel® Tunnel Creek E620T 3.5" SBC, Wide Temp. -40 to 85°C



Main Features

- Supports Intel® Tunnel Creek E620T CPU onboard
- 512 MB DDR2 memory onboard
- 4 x COM ports
- 2 x USB ports
- CAN Bus, SMBus
- 12V DC-in
- Wide operating temp. -40 to 85°C

► Specifications

System

CPU Type	Intel® Atom™ E620T 600 MHz
Chipset	Intel® Topcliff EG20T
Memory Type	512 MB DDR2 667/800 MHz memory IC onboard
BIOS	AMI™ BIOS
Super I/O	SMSC SCH3114
Watchdog	1-255 sec. or 1-255 min. software programmable, can generate system reset
Expansion Slot	1 x Mini PCIe (half -size)

Display

Chipset	Chrontel 7317B SDVO to VGA Transmitter
VGA	Yes (Max. resolution 1280 x 1024 @ 70 Hz)
LVDS	Supports single channel 18/24-bit LVDS
Dual Independent Displays Capability	LVDS + VGA

Audio

Codec	Realtek ALC886 High Definition Audio Codec *2W amplifier onboard
-------	---

Ethernet

Chipset	2 x Intel® 82574IT GbE LAN
WOL	Yes
Boot from LAN	Yes for PXE

Rear I/O

VGA	1
Ethernet	2 x RJ45
USB	2 x USB2.0
COM	1 x RS232/422/485 with 5V/12V selectable

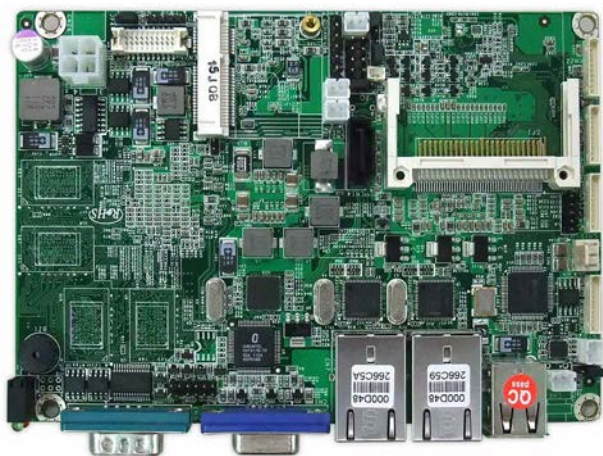
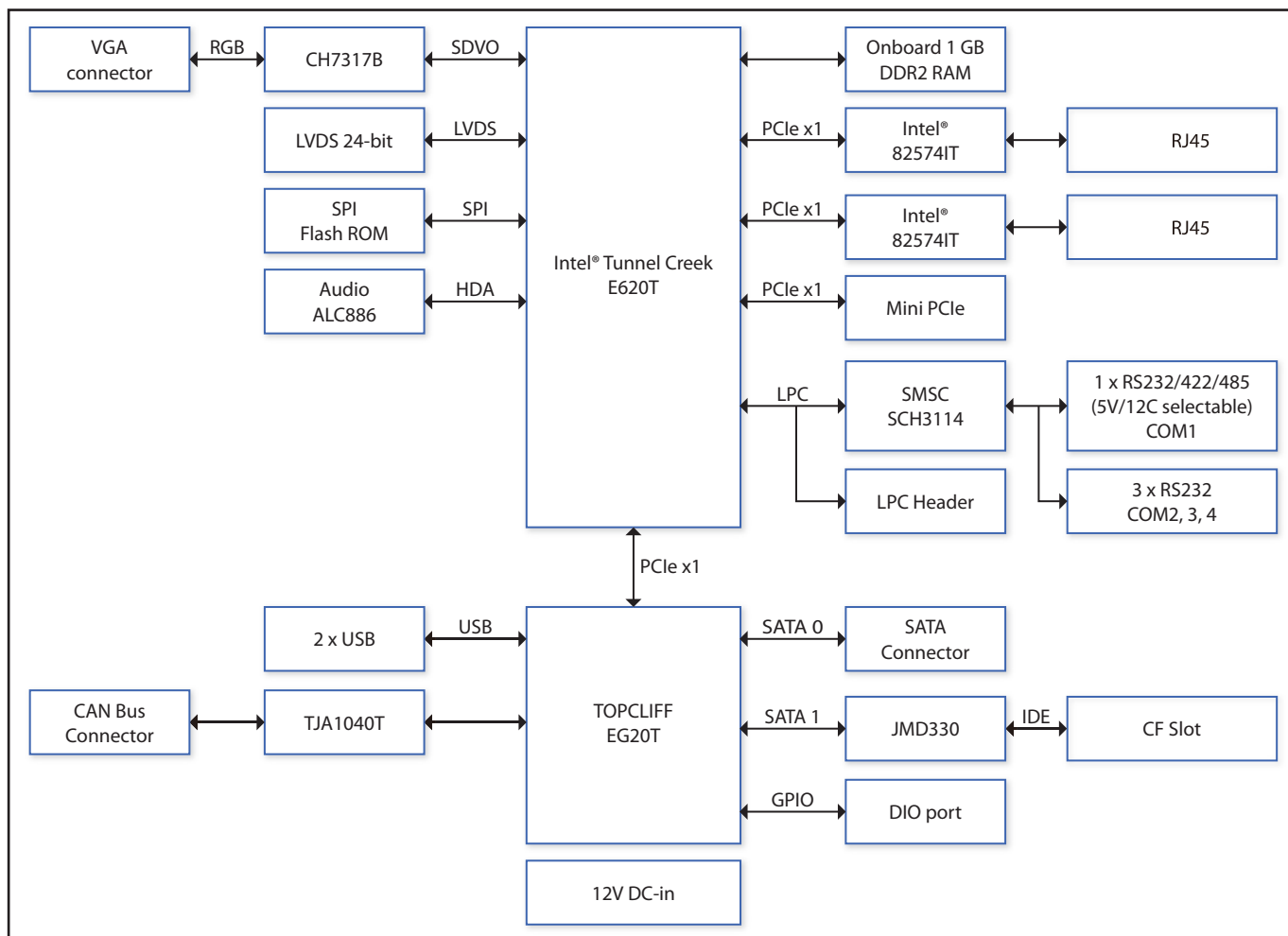
Internal I/O

SATA	1 x SATAII (3 Gb/s) 1 x 3-pin power connector
SSD	1 x Compact Flash Typell socket
COM	3 x COM ports COM2~4 ports support RS232 by 1 x 10-pin header
LVDS Connector	20-pin connector
CAN Bus	1 x 10-pin header
SMBus	1 x 2-pin header
DIO	8-bit (4 in/4 out)
Audio	1 x 6-pin header for Mic-in/Line-in/Line-out

Mechanical and Environment

Form Factor	3.5" SBC
Power Type	12V DC-in, 4-pin ATX power connector AT/ATX mode support
Dimension	146 x 102 mm (5.7" x 4")
Operating Temp.	-20 to 70°C
Storage Temp.	-40 to 85°C
Relative Humidity	10% to 90%, non-condensing

► **Block Diagram**



► **Packing List**

- OXY5319A 3.5" SBC
- CD (Driver + user's manual)

► **Optional Accessories**

Cable Kit

Cable kit for OXY5319A

CF Card

Innodisk iCF4000 series

Apacer Industrial CF series



► **Ordering Information**

Modules

Model Number	Description
OXY5319A-ET	3.5" SBC Intel® Tunnel Creek E620T + Topcliff EG20T with DDR2 onboard Memory Dual Display by VGA/LVDS, Dual GbE LAN, 4 x COM, 4 x USB, CAN Bus, and 12V DC-in (-20 to 70°C)
OXY5319A-UT	3.5" SBC Intel® Tunnel Creek E620T + Topcliff EG20T with DDR2 onboard Memory Dual Display by VGA/LVDS, Dual GbE LAN, 4 x COM, 4 x USB, CAN Bus, and 12V DC-in (-40 to 85°C optional)



► **Applications**

