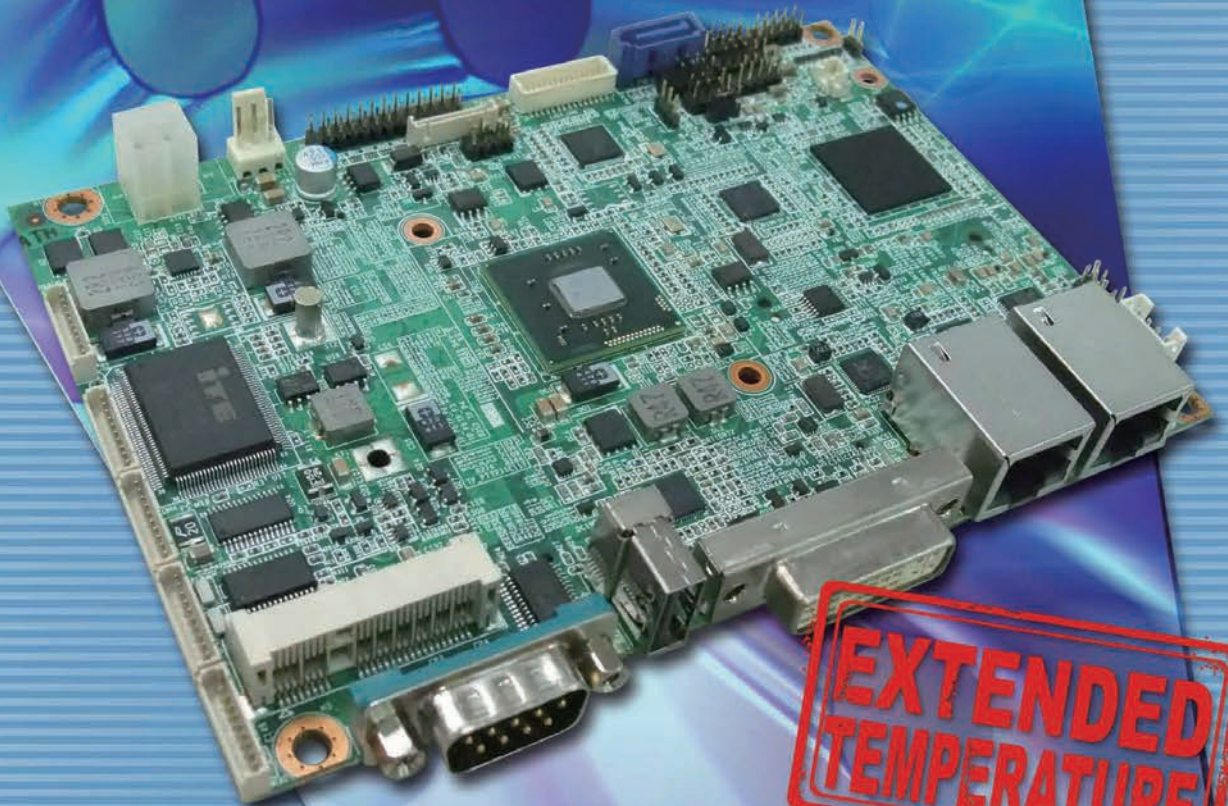


OXY5321A

PERFECTRON

Intel® Cedarview D2550 3.5" SBC, Wide Temp. -40 to 85°C



KEY FEATURE

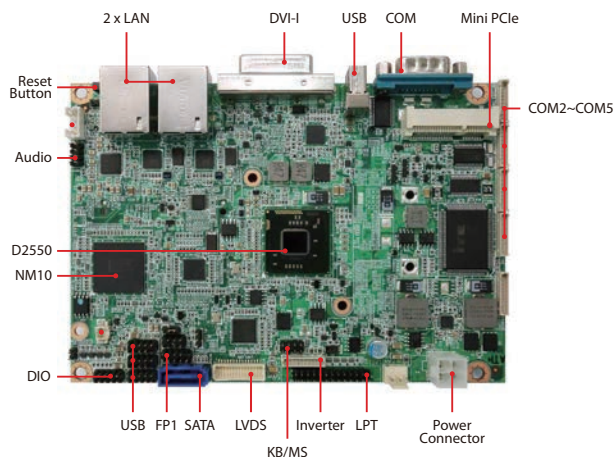
- Supports Intel® Atom™ D2550 CPU onboard
- Single/dual channel 18/24-bit LVDS
- 1 x Mini PCIe slot
- 5 x COM ports
- 7 x USB ports
- 12V DC-in
- Wide operating temp. -40 to 85°C

it's perfect!

OXY5321A

PERFECTRON

Intel® Cedarview D2550 3.5" SBC, Wide Temp. -40 to 85°C



Main Features

- Supports Intel® Atom™ D2550 CPU onboard
- Single/dual channel 18/24-bit LVDS
- 1 x Mini PCIe slot
- 5 x COM ports
- 7 x USB ports
- 12V DC-in
- Wide operating temp. -40 to 85°C

► Specifications

System

CPU Type	Intel® Atom™ D2550 1.86 GHz
Chipset	Intel® NM10
Memory Type	1 x 204-pin SO-DIMM DDR3 800/1066 MHz up to 4 GB
BIOS	AMI® BIOS
Super I/O	ITE IT8783F
Watchdog	1-255 sec. or 1-255 min. software programmable, can generate system reset
Expansion Slot	1 x Mini PCIe

Display

Chipset	Integrated Intel® GMA3650 VR Graphic core SGX545
DVI-I	Yes (Max. resolution 1920 x 1200 @ 60 Hz)
LVDS	Supports 18/24-bit single/dual channel LVDS (Max. resolution 1920 x 1080 @ 60Hz)
Dual Independent Displays Capability	LVDS + DVI-I

Audio

Codec	Realtek ALC269 High Definition Audio Codec *2W amplifier onboard
-------	--

Ethernet

Chipset	2 x RTL8111E GbE LAN
WOL	Yes
Boot from LAN	Yes for PXE

Rear I/O

DVI-I	1 (DVI-D + VGA)
Ethernet	2 x RJ45
USB	1 x USB2.0
COM	1 x RS-232/422/485 with 5V/12V selectable
Reset Button	1

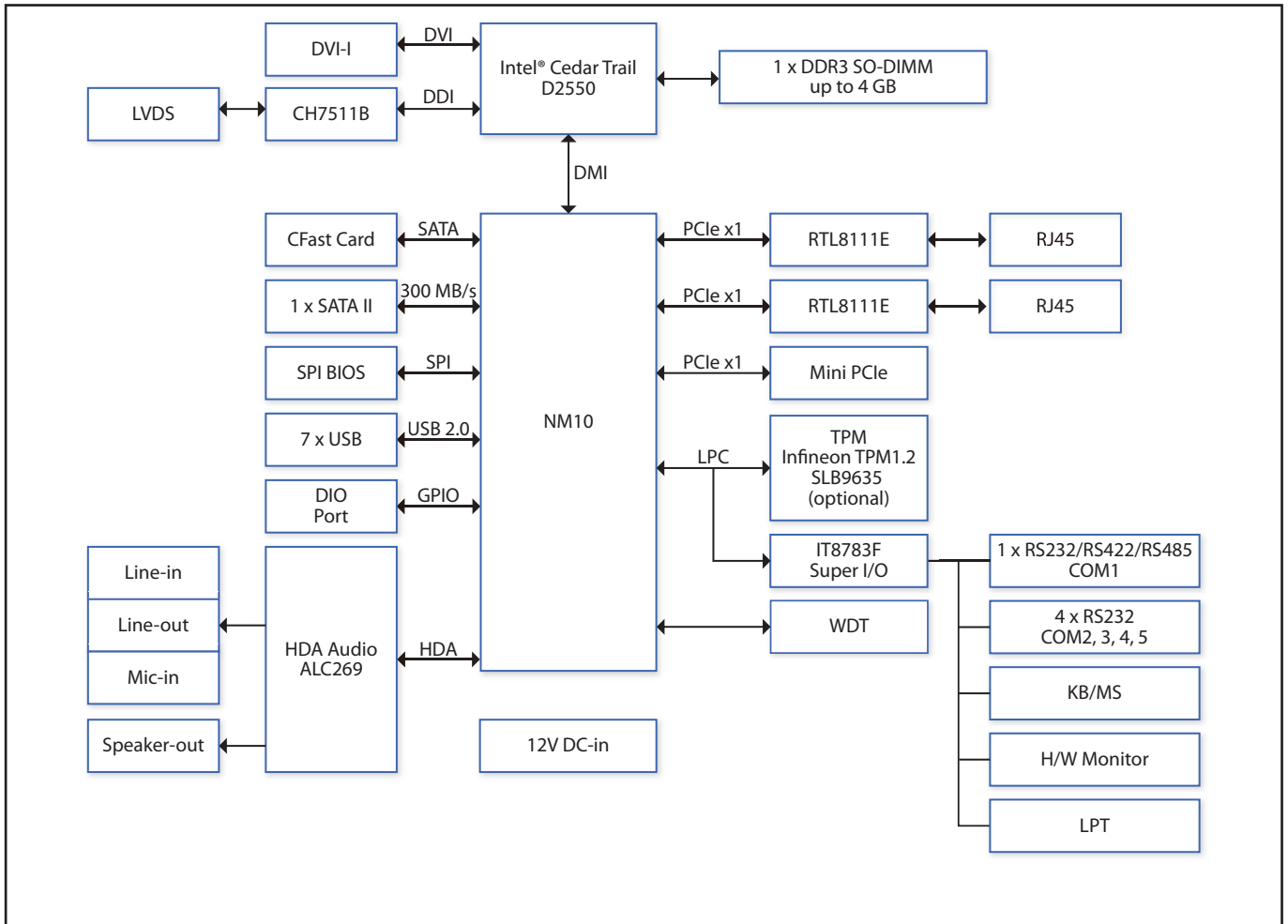
I/O Interface

SATA	1 x SATAII (3 Gb/s)
SSD	1 x CFAST socket
USB	6 x USB2.0 ports by 2 x 5-pin header
COM	4 x COM ports COM2~COM5 ports support RS232 only with 5V/12V selectable by 1x10-pin header
Audio	1 x 4-pin header for Speak-out
LVDS	30-pin connector
PS/2	2 x 4-pin header
LPT	2 x 13-pin header
DIO	8-bit (4 in/4 out)

Mechanical and Environment

Form Factor	3.5" SBC
Power Type	12V DC-in, 4-pin ATX power connector, AT/ATX mode support
Dimension	146 x 102 mm (5.7" x 4")
Operating Temp.	-40 to 85°C
Storage Temp.	-40 to 85°C
Relative Humidity	10% to 90%, non-condensing

► **Block Diagram**



► **Packing List**

- OXY5321A 3.5" SBC
- CD (Driver + user's manual)
- CPU cooler

► **Optional Accessories**

Cable Kit

Cable kit for OXY5321A



► **Ordering Information**

Modules

Model Number	Description
OXY5321A-ET	3.5" SBC Intel® Cedarview D2550 with DDR3 SO-DIMM, Dual Display by LVDS/DVI-I, Dual GbE LAN, Audio, 5 x COM, 7 x USB, and 12V DC-in (-20 to 70°C)
OXY5321A-UT	3.5" SBC Intel® Cedarview D2550 with DDR3 SO-DIMM, Dual Display by LVDS/DVI-I, Dual GbE LAN, Audio, 5 x COM, 7 x USB, and 12V DC-in (-40 to 85°C optional)



► **Applications**

