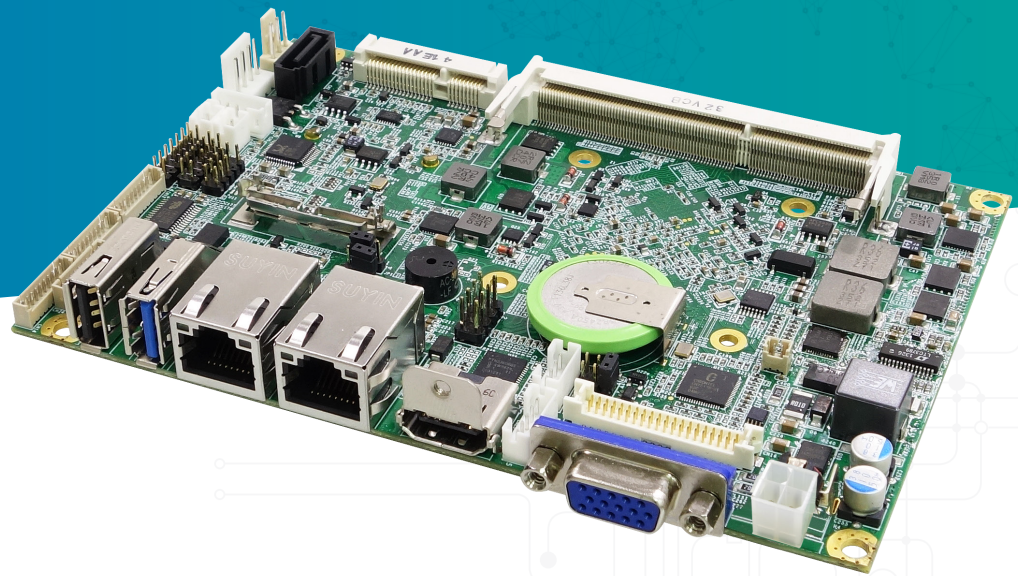


Intel® Bay Trail E3845 Processor 3.5" SBC

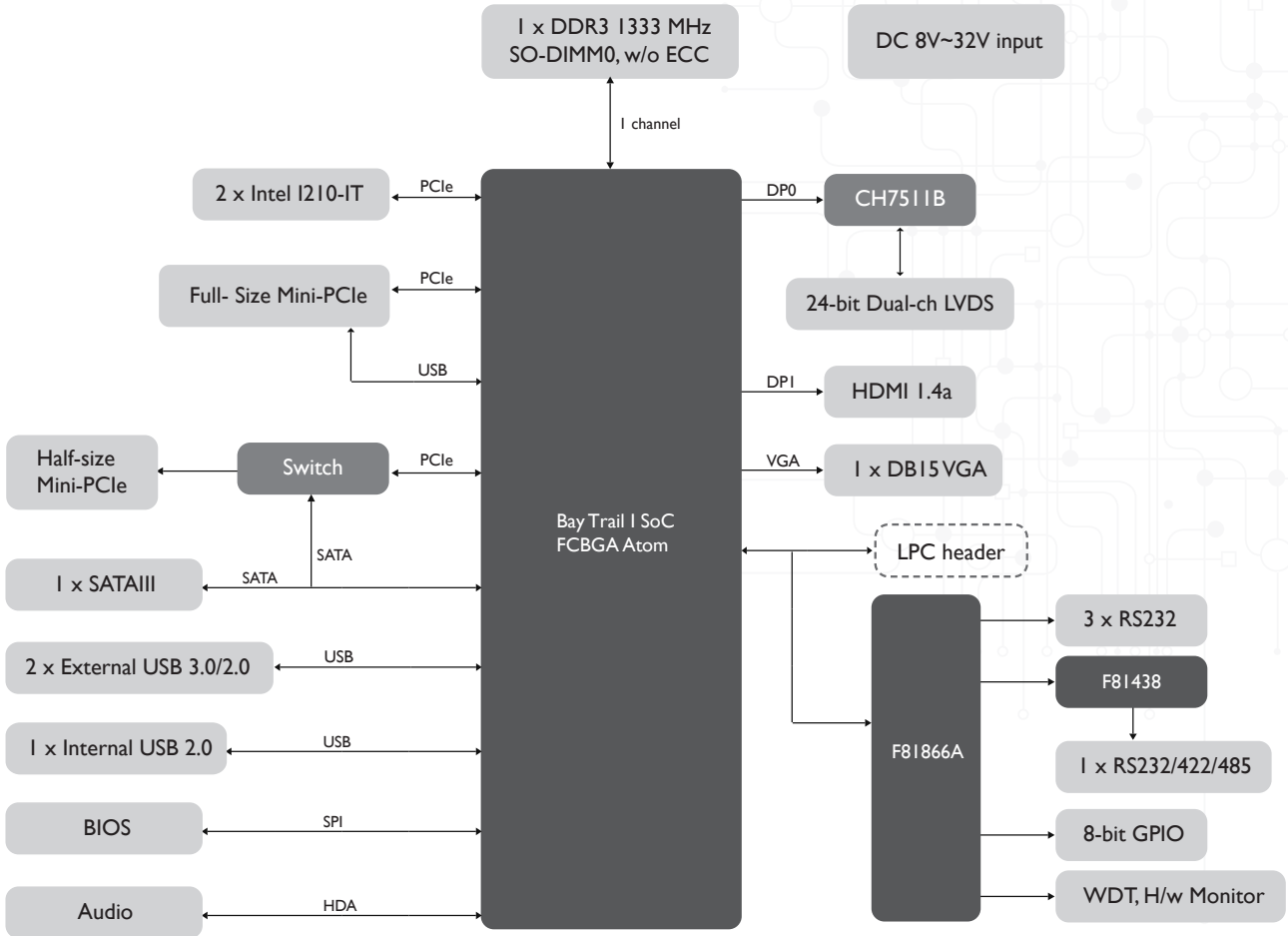


Extended
Temperature
+85°C
-40°C

- Support Intel® Atom™ E3845 Processor
- 1 x SO-DIMM DDR3L up to 8GB
- 1 x Full-size mPCIe, 1 x Half-size mPCIe
- Multi display: 1 x HDMI ; 1 x VGA ; Dual Channel 24 Bit LVDS
- Dual LAN Ports (2 x Intel I210AT GbE)
- 4 x COM ports: 3 x RS-232, 1 x RS232/422/485
- 3 x USB ports: 1 x USB 3.0, 2 x USB 2.0
- Wide rang 8~32V DC-in
- Extended operating temp. -40~+85°C

OXY5322A

Blockdiagram

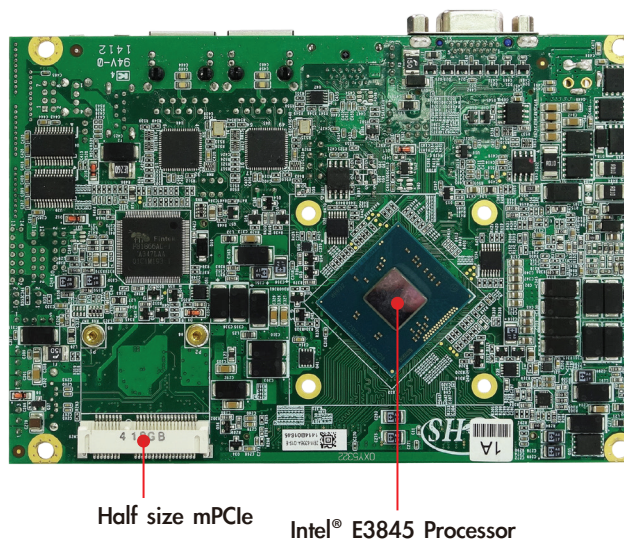
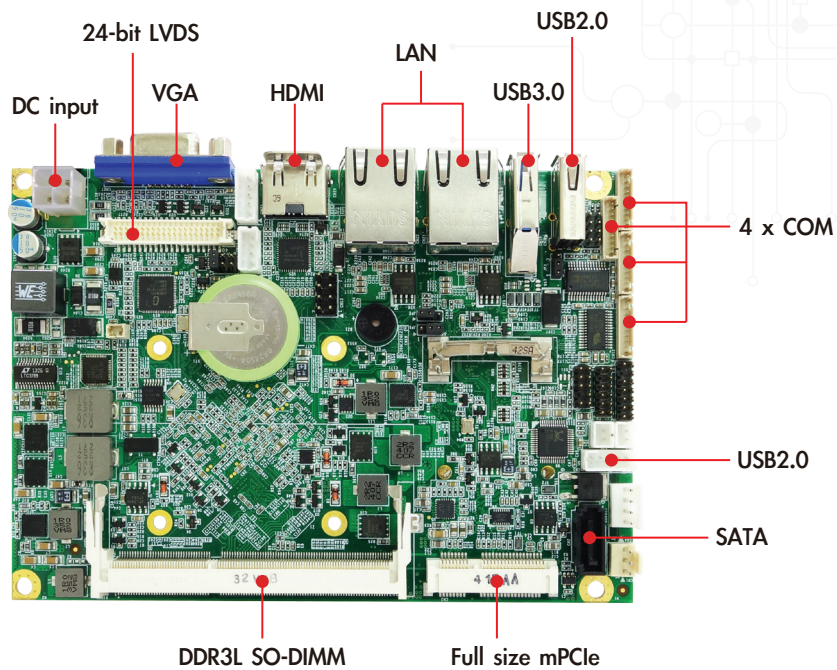


OXY5322A

Introduction

OXY5322A, a powerful 3.5" SBC, is driven by Intel® Atom processor E3845 soldering onboard. The new Bay Trail processor supports outstanding Intel® HD Graphics and enhanced CPU performance, providing quad cores 1.91 GHz clock speed while consuming low power consumption for only 10W.

OXY5322A is regarded as a rich-featured board that can be applied to cater various I/O requirements. OXY5322A supports multi display: 1 HDMI, 1 VGA and 1 LVDS; rich I/O: 3 USB, 4 COM, and 2 mPCIe expansion slots. On board CPU provides high level of resistance to shock and vibration, which makes OXY5322A an ideal SBC for industrial, heavy-duty vehicle, transportation and high-end automation. Wide voltage power input design (8V~32V) can protect system from damages caused by sudden surge of voltage, thus further secure the reliability of its critical components and the system itself. Extended operating temperature (-40~85°C) design let it be a great choice for building fanless systems.



OXY5322A

System	
	Intel® Atom™ E3845 Processor (2M Cache, 1.91 GHz)
Memory Type	1 SO-DIMM up to 8GB
Watchdog	1-255 sec
Expansion Slot	1 x Full-Size mPCIe
	1 x Half-Size mPCIe
Display	
Chipset	Intel® HD Graphics
LVDS	Dual channel 24bit LVDS
Display Type	VGA, HDMI, LVDS
Ethernet	
Chipset	2 x Intel I210-IT GbE
Power Requirements	
Power Type	8 ~32V DC-in
Audio	
Codec	Realtek ALC886
Rear I/O	
HDMI	1
VGA	1
Ethernet	2 x RJ45
USB	1 x USB 3.0 + 1 x USB 2.0

Internal I/O	
SATA	1 x SATAIII (6Gb/s)
COM	3 x RS-232
	1 x RS232/422/485
USB	1 x USB2.0
Audio	Line-out , Line-In , Mic-In
LVDS	1 (40 pins)
DIO	1(2 x 6-pin), 4 in/ 4 out
Form Factor	
Form Factor	3.5" SBC
Power Type	8 ~32V DC-in
Dimension	146mm x 101mm
Operating Temp.	-40 to 85°C
Storage Temp.	-40 to 85°C
Relative Humidity	10% to 90%, non-condensing

Ordering information

OXY5322A-UT

Intel® Atom™ Processor E3845, 8GB DDR3L, 1 x VGA, 1 x HDMI, 1 x LVDS, 3 x USB, 4 x COM, 8V-32V DC input, Operating Temperature -40 to 85°C