

# OXY5415A

# PERFECTRON

Intel® Pineview N455 PC/104+ Module, Wide Temp.  
-40 to 85°C



## KEY FEATURE

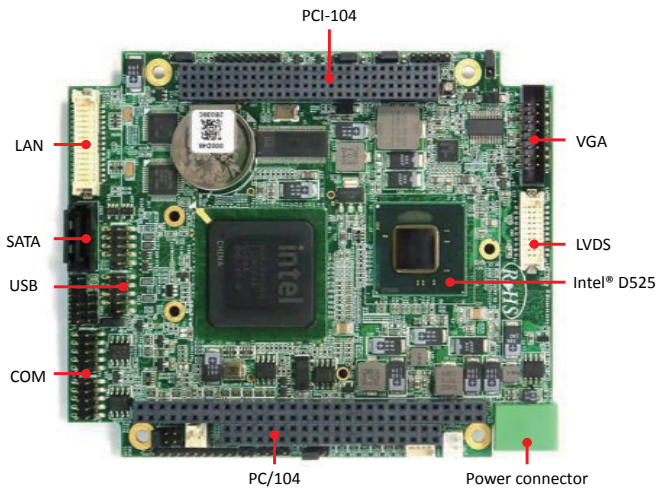
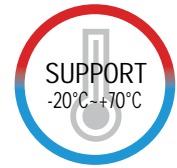
- Supports Intel® Atom™ D525 CPU onboard
- VGA/LVDS dual display
- SATA and CFast socket
- Dual GbE LAN
- PCI-104 and PC/104
- Wide operating temp. -40 to 85°C

*it's perfect!*

# OXY5415A

PERFECTRON

Intel® Pineview N455 PC/104+ Module, Wide Temp. -40 to 85°C



## Main Features

- Supports Intel® Atom™ N455 CPU onboard
- VGA/LVDS dual display
- SATA and CFAST socket
- Dual GbE LAN
- PCI-104 and PC/104
- Wide operating temp. -40 to 85°C

## ► Specifications

### System

CPU Type	Intel® Atom™ N455 1.66 GHz
Chipset	Intel® ICH8M
Memory Type	1 x 204-pin SO-DIMM DDR3 800 MHz up to 2 GB
BIOS	AMI® BIOS
Super I/O	SMSC SCH3112
Watchdog	1-255 sec. or 1-255 min. software programmable, can generate system reset
Expansion Slot	PC/104, PCI-104

### Display

Chipset	Integrated Intel® GMA3150 GFX Render core
VGA	Yes (Max. resolution 2048 x 1536)
LVDS	Supports single channel 18-bit LVDS (Max. resolution 1366 x 768)
Dual Independent Displays Capability	VGA+LVDS

### Audio

Codec	Realtek ALC269 High Definition Audio Codec
-------	--

### Ethernet

Chipset	2 x RTL8111DL GbE LAN
WOL	Yes
Boot from LAN	Yes for PXE

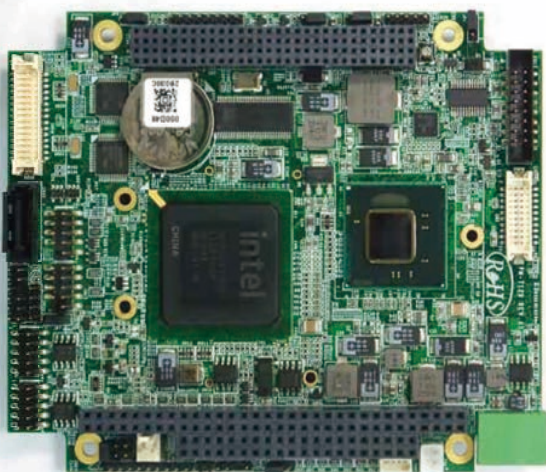
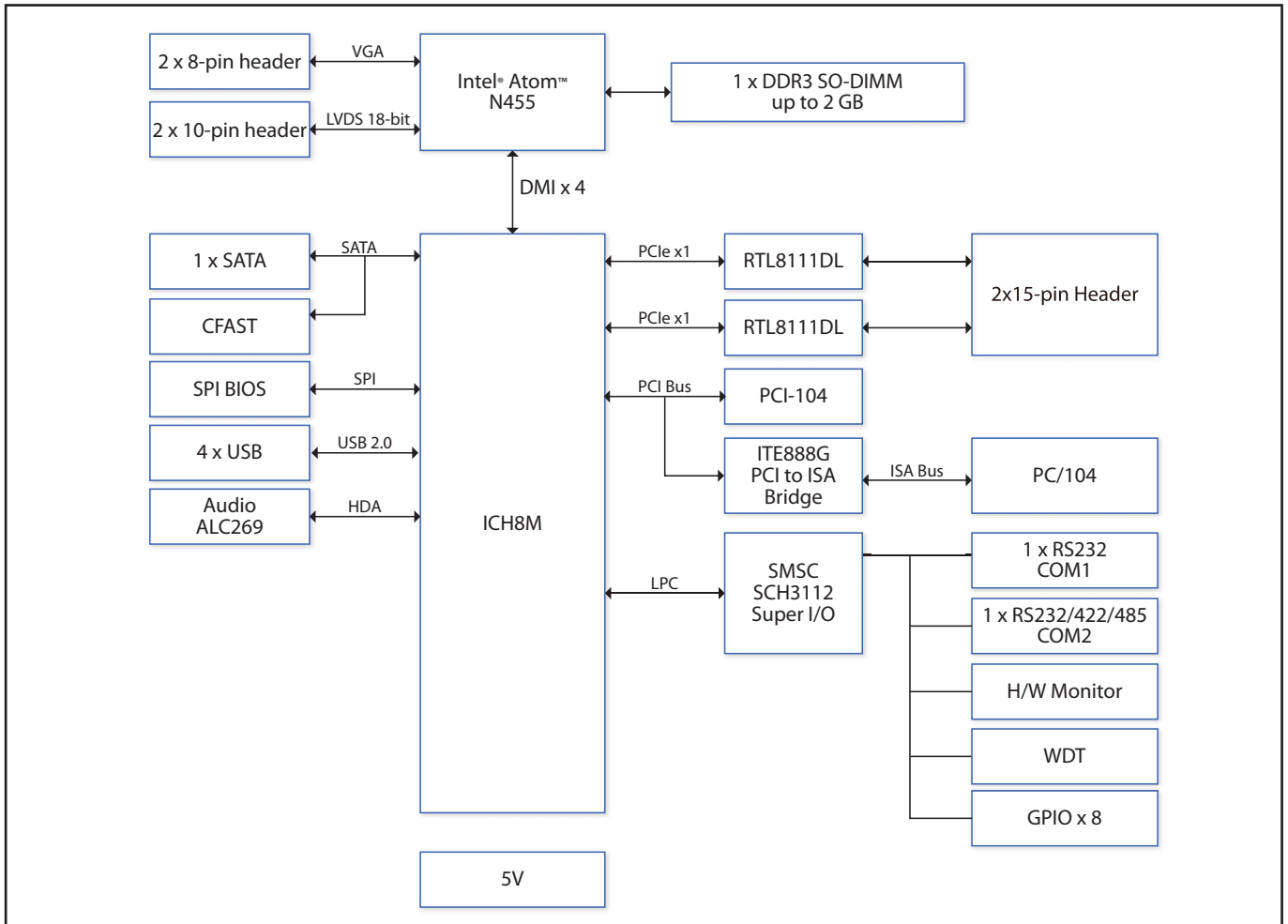
### Internal I/O

SATA	1 x SATAII (3 Gb/s)
SSD	1 x CFAST socket
USB	4 ports by 2 x 5-pin header
COM	2 ports by 2 x 5-pin header COM2 supports RS232/422/485
VGA	2 x 8-pin header
LAN	2 x 15-pin header
LVDS	20-pin connector

### Mechanical and Environment

Form Factor	PC/104+
Power type	5V DC-in
Dimension	96 x 115 mm (3.8" x 4.5")
Operating Temp.	-40 to 85°C
Storage Temp.	-40 to 85°C
Relative Humidity	10% to 90%, non-condensing

## ► Block Diagram



► **Packing List**

- OXY5415A PC/104+ Module
- CD (Driver + user's manual)

► **Optional Accessories**

**Cable Kit**

Cable kit for OXY5415A

**Thermal Kit**

Active heatsink

**LAN Kit**

LAN card & cable

**Stacker Kit**

PC/104 stacker (64-pin + 40-pin)

PCI-104 stacker



► **Ordering Information**

**Modules**

Model Number	Description
OXY5415A-ET	PC/104+ Module, Intel® Pineview N455 with DDR3 SO-DIMM, Dual Display by VGA/LVDS PC/104, PCI-104, Dual GbE LAN, and 5V DC-in (-40 to 85°C)



► **Applications**

