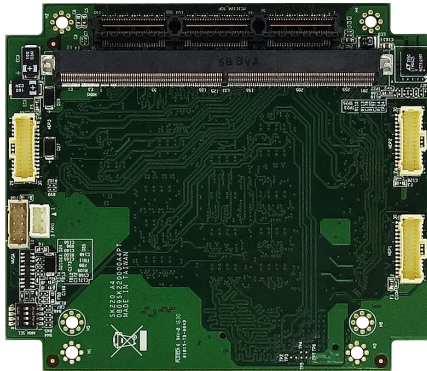


SK220

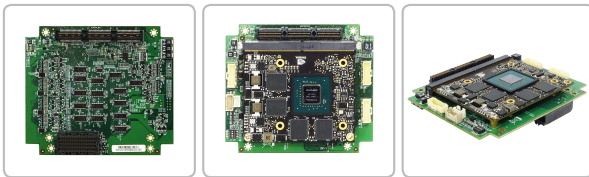
PERFECTRON

PCIe104-FPE MXM Graphic Card Carrier Module



Main Features

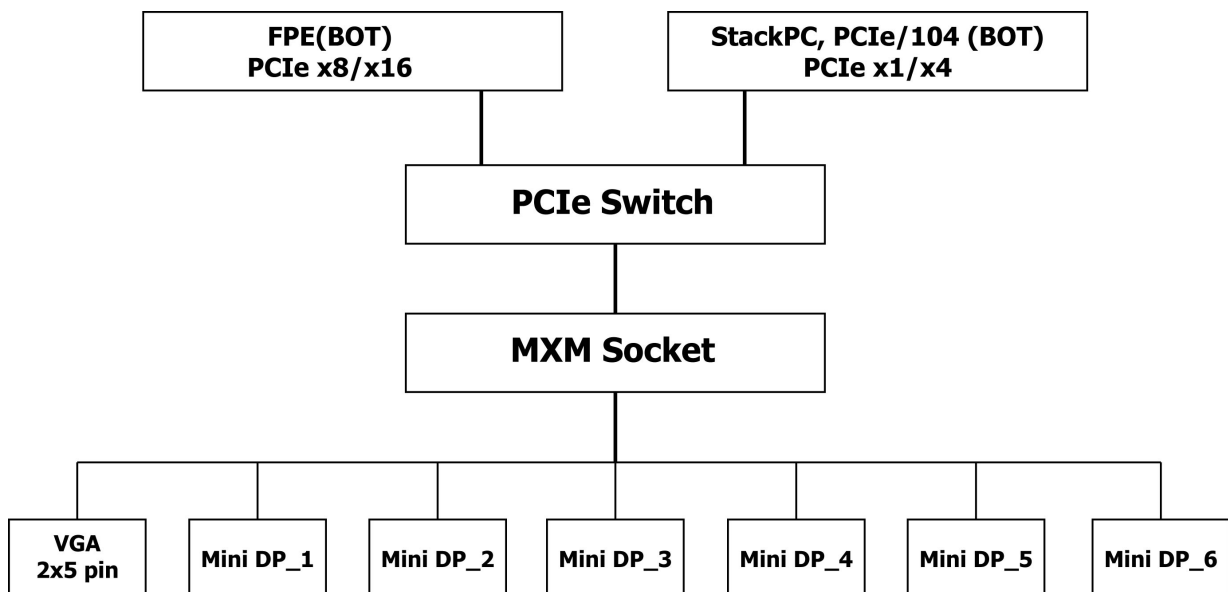
- StackPC and PCIe/104 Compliant
- Utilizes PCIe x16 and x4 Link
- MXM 3.0 and 3.1 Graphic card support
- Type A and Type B MXM Graphic card support
- Operating Temp. -40~85°C



► Specifications

Bus Type	PCI-Express 3.0/2.0
Supported Modules	MXM 3.0 and 3.1 compliant Graphic card
IO	6 x DisplayPort (Molex 501190-3017) 1 x VGA (2x5 pin header) 1 x Fan Power (3 pins)
Board Information	Board Dimensions: 95.9 mm x 115.6 mm Stack Direction: UP (One way) Support Form Factor: StackPC and PCIe/104

► Block Diagram



► Ordering Information

- **SK220** PCIe104-FPE MXM Graphic Card Carrier Module, Extended temp. -40 to 85°C
- **SK220-P** PCIe104 MXM Graphic Card Carrier Module, Extended temp. -40 to 85°C