

# SK505

# PERFECTRON

## COM Express® Type 6 Reference Carrier Board in ATX Form Factor



**EXTENDED  
TEMPERATURE**

## KEY FEATURE

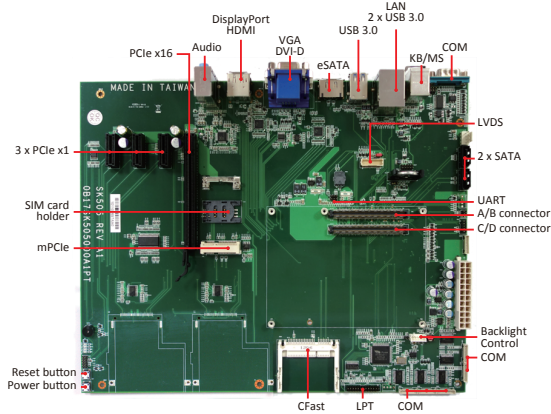
- Supports three Digital Display Interfaces (DDI) with HDMI/DVI DisplayPort out put
- LPC based Super I/O
- Dual BIOS (SPI and LPC)
- PICMG COM Type 6 Pinout
- Support COM Express Basic, Compact and Mini module

*it's perfect!*

# SK505

PERFECTRON

COM Express® Type 6 Reference Carrier Board in ATX Form Factor



## Main Features

- Supports three Digital Display Interfaces (DDI) with HDMI/DVI DisplayPort out put
- LPC based Super I/O
- Dual BIOS (SPI and LPC)
- PICMG COM Type 6 Pinout
- Support COM Express Basic, Compact and Mini module

## ► Specifications

### System

BIOS	SPI ROM socket
Super I/O	Fintek F81866-I
Expansion Slot	1 x PCIe x16 3 x PCIe x1 1 x Mini PCIe

### Audio

Codec	Realtek ALC887
-------	----------------

### Rear I/O

DVI-D	1
HDMI	1
DP	1
VGA	1
Ethernet	1 x RJ45
Audio	Mic-in, Line-in, Line-out
USB	4 x USB 3.0/2.0
COM	1 x RS232/422/485
PS/2	2 x Jack
eSATA	1

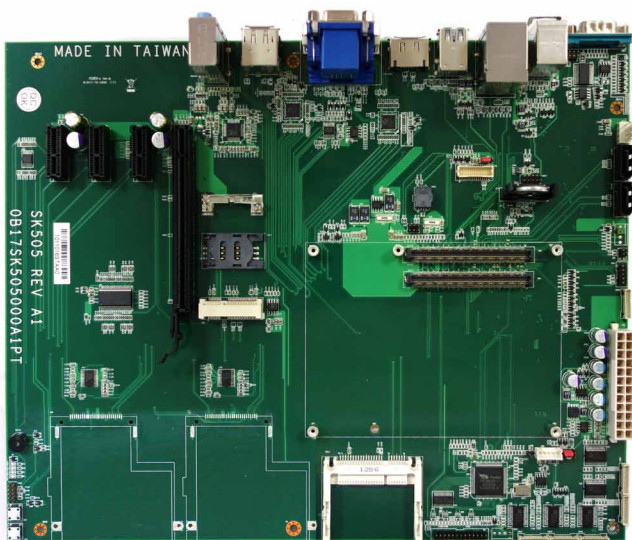
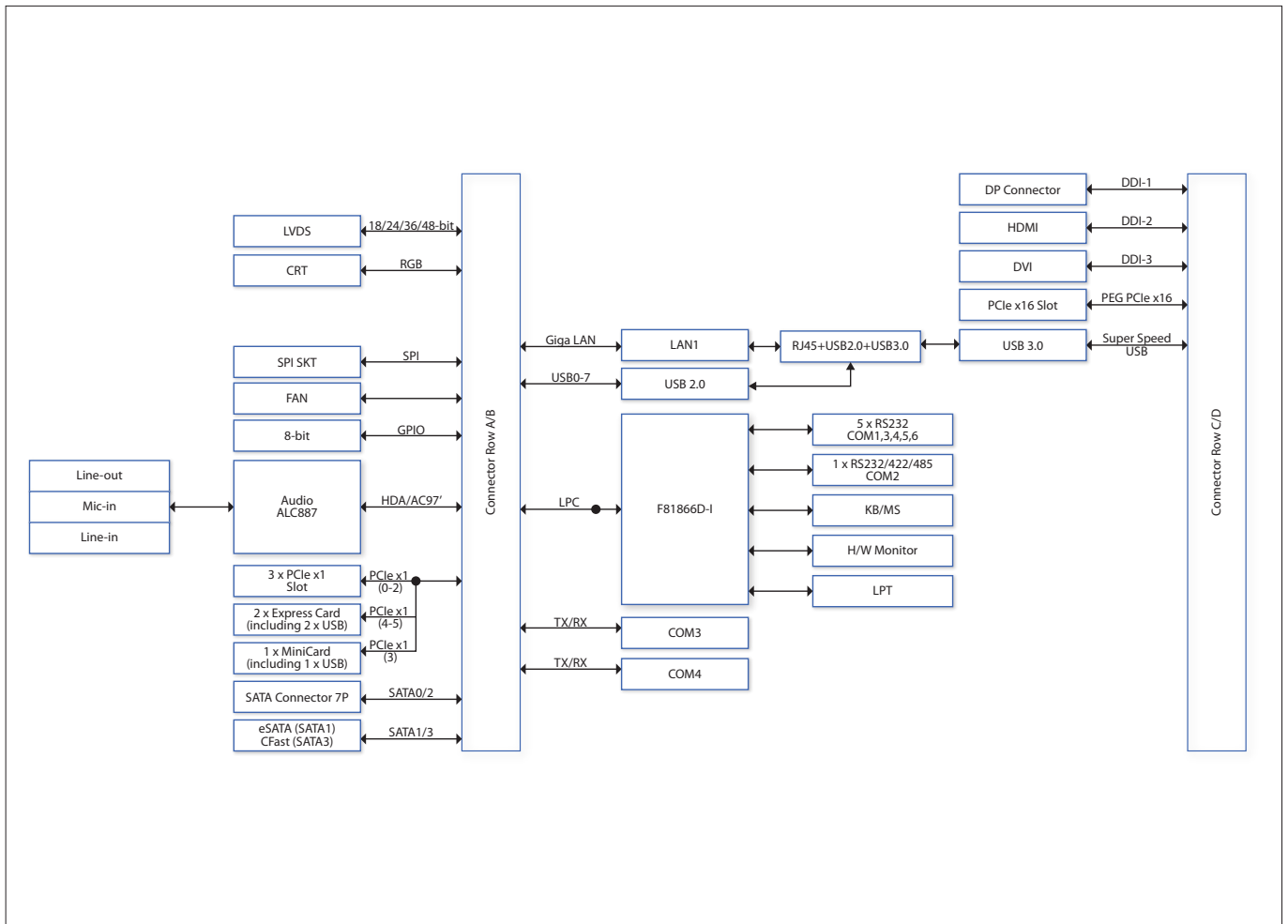
### I/O Interface

SATA	2 x SATAII (3 Gb/s)
SSD	1 x CFast socket
USB	5 x USB <ul style="list-style-type: none"><li>• 4 x USB 3.0 ports on rear I/O</li><li>• 1 x onboard by pin header</li></ul>
COM	6 x COM ports <ul style="list-style-type: none"><li>• COM2 support RS232/422/485 with 5V/12V selectable on rear I/O</li><li>• COM1,3,4 ports support RS232</li></ul>
Parallel Port	2 x 13-pin header
UART	2 x 1x2-pin header
Power Button	1
Reset Button	1
ATX power connector	1 x 24-pin
LVDS	2 x 15-pin header
SIM Card holder	1
GPIO	8-bit (4 in/4 out)

### Mechanical and Environment

Form Factor	ATX COM Express Type 6 carrier board
Power Type	ATX (24-pin)
Dimension	305 x 244 mm
Operating Temp.	-40 to 85°C
Storage Temp.	-40 to 85°C
Relative Humidity	10% to 90%, non-condensing

## ▶ Block Diagram



► **Packing List**

- SK505 ATX COM-E T6 carrier board
- CD (Driver + user's manual)

► **Ordering Information**

**Modules**

Model Number	Description
SK505	COM Express® Type 6 Reference Carrier Board in ATX Form Factor



► **Applications**

